

Sheet 02 - Lamp MPX



Sheet 02 - Lamp MPX

Sheet 03 - LEADS 0 - 15

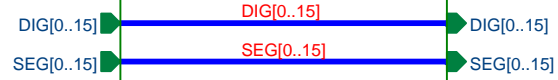


Sheet 03 - LEADS 0 - 15

Sheet 04 - LEADS 16 - 31



Sheet 04 - LEADS 16 - 31

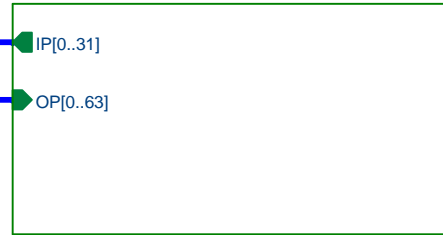


Sheet 05 - IO Connectors



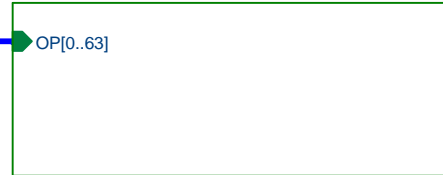
Sheet 05 - IO Connectors

Sheet 06 - Inputs



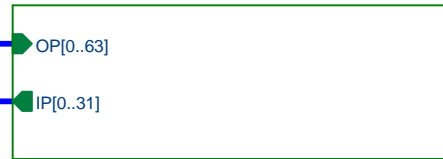
Sheet 06 - Inputs

Sheet 07 - Outputs



Sheet 07 - Outputs

Sheet 08 - REEL Connectors



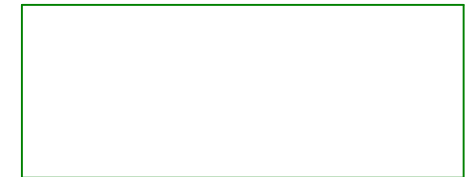
Sheet 08 - REEL Connectors

Sheet 09 - SERIAL COMMS

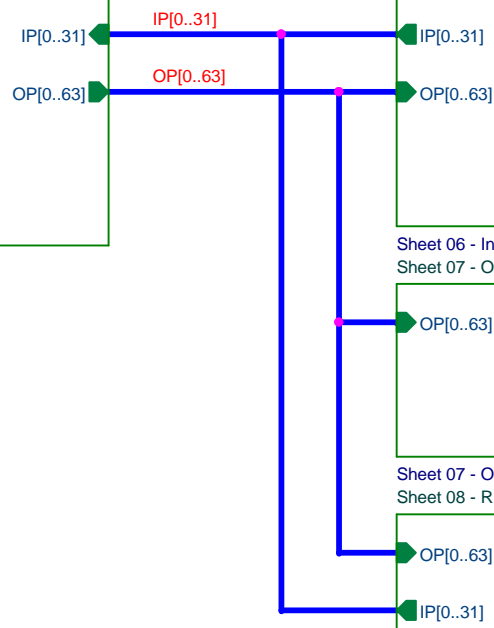


Sheet 09 - SERIAL COMMS

Sheet 10 - POWER/AUDIO

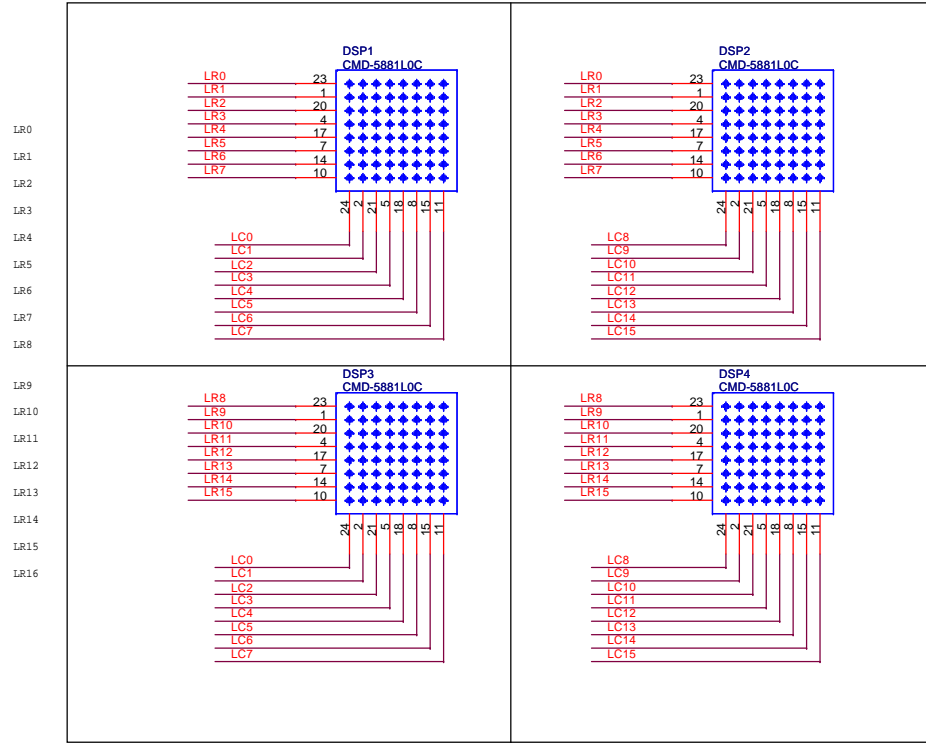


Sheet 10 - POWER/AUDIO

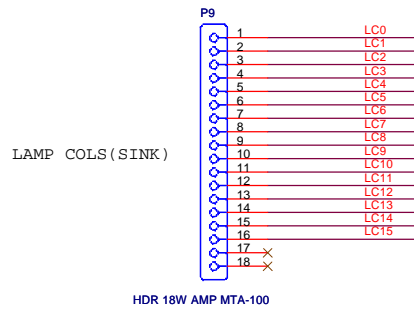


HEBER LTD. Belvedere Mill Chalford, Stroud, GL6 8NT Tel: +44 (0) 1453 886000 Fax: +44 (0) 1453 885013		
Title Pluto 5 EVALUATION BOARD- ROOT SHEET		
Size A4	Document Number 56-16781	Rev 3
Date: Wednesday, June 28, 2006	Sheet 1	of 10

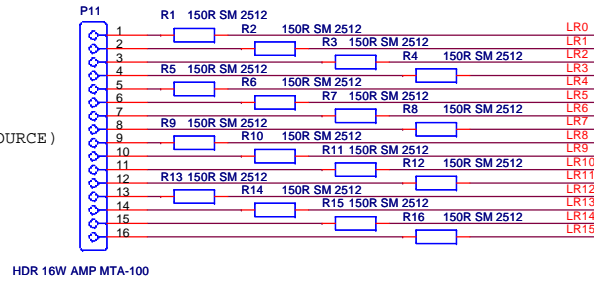
PCB LAYOUT



LC0 LC1 LC2 LC3 LC4 LC5 LC6 LC7 LC8 LC9 LC10LC11 LC12LC13LC14LC15

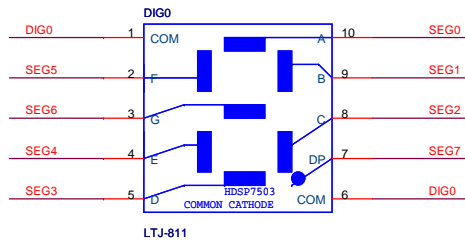


LAMP ROWS (SOURCE)

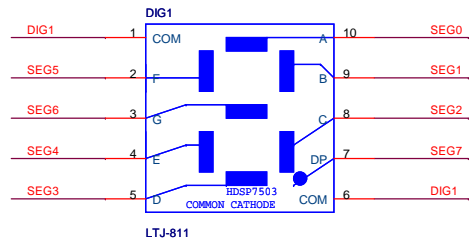


HDR 16W AMP MTA-100

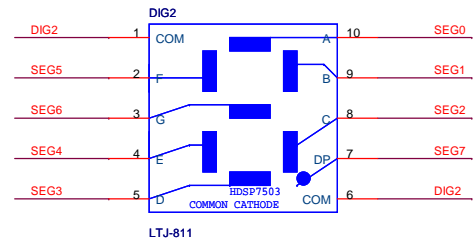
HEBER LTD.		
Belvedere Mill Chalford, Stroud, GL6 8NT Tel: +44 (0) 1453 886000 Fax: +44 (0) 1453 885013		
Title Pluto 5 EVALUATION BOARD- LAMP Multiplex LEDs		
Size A3	Document Number 56-16781	Rev 3
Date: Wednesday, June 28, 2006	Sheet 2	of 10



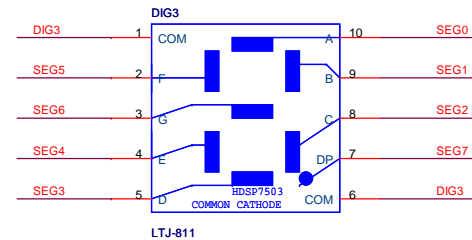
L TJ-811



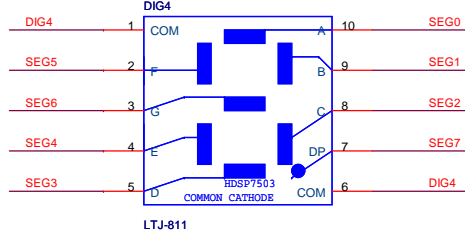
L TJ-811



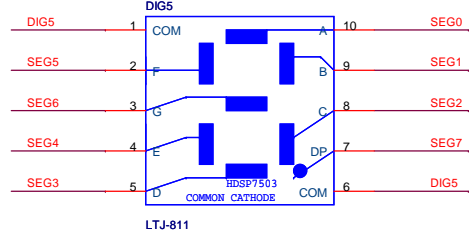
L TJ-811



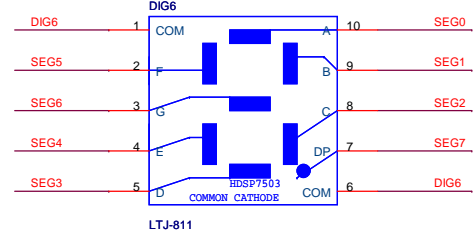
L TJ-811



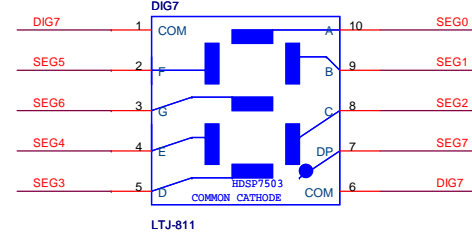
L TJ-811



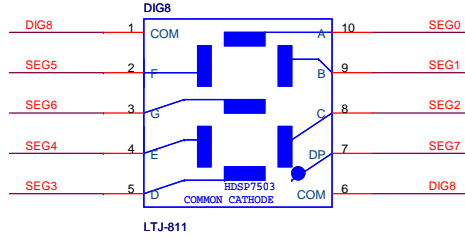
L TJ-811



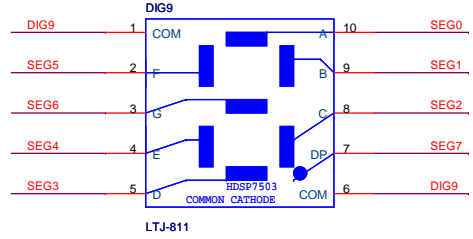
L TJ-811



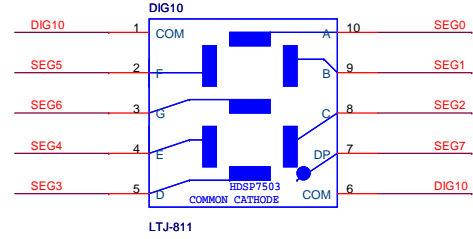
L TJ-811



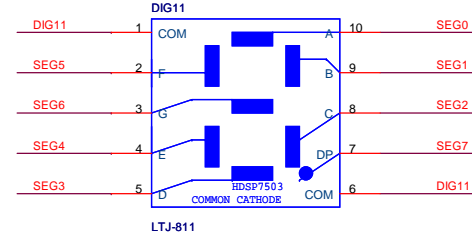
L TJ-811



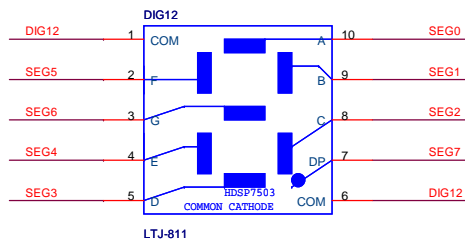
L TJ-811



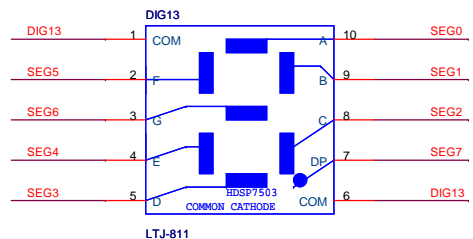
L TJ-811



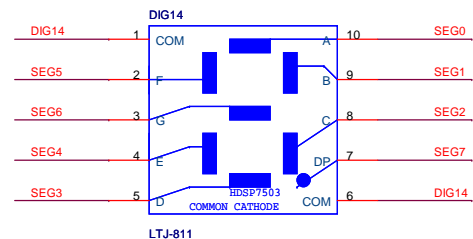
L TJ-811



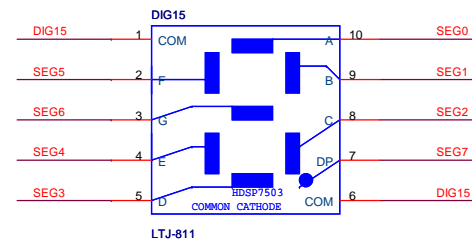
L TJ-811



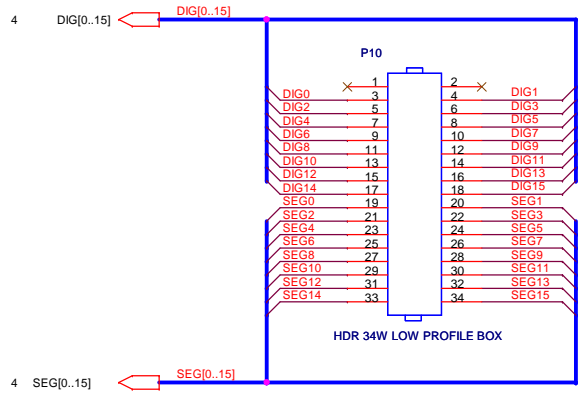
L TJ-811



L TJ-811



L TJ-811

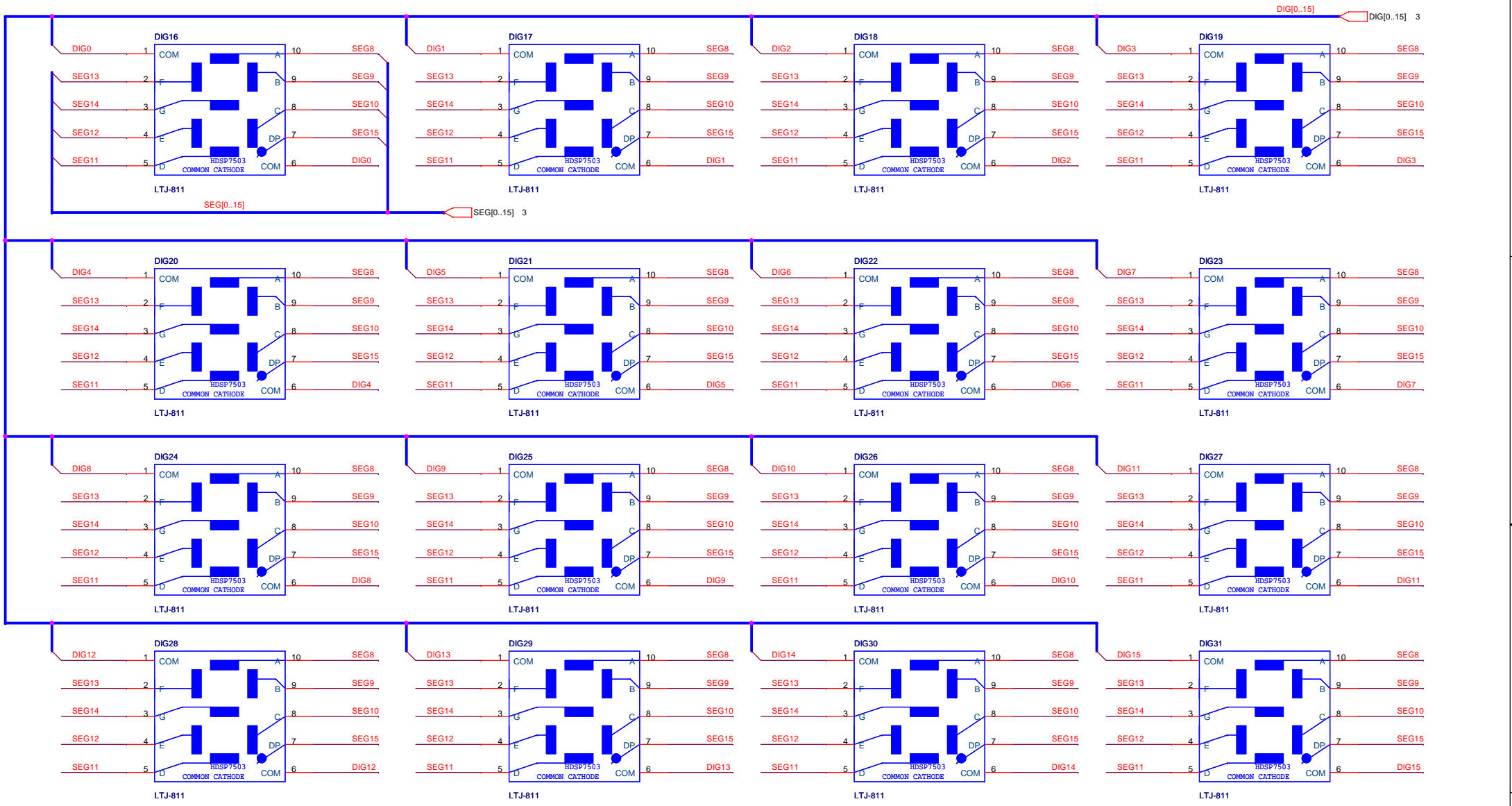


HEBER LTD.
 Belvedere Mill
 Chalford, Stroud, GL6 8NT
 Tel: +44 (0) 1453 886000
 Fax: +44 (0) 1453 885013

Title: Pluto 5 EVALUATION BOARD- LEDS 0 - 15

Size A3	Document Number 56-16781	Rev 3
---------	--------------------------	-------

Date: Wednesday, June 28, 2006 Sheet 3 of 10



PCB LAYOUT

DIG16	DIG17	DIG18	DIG19	DIG20	DIG21	DIG22	DIG23	DIG24	DIG25	DIG26	DIG27	DIG28	DIG29	DIG30	DIG31
DIG0	DIG1	DIG2	DIG3	DIG4	DIG5	DIG6	DIG7	DIG8	DIG9	DIG10	DIG11	DIG12	DIG13	DIG14	DIG15

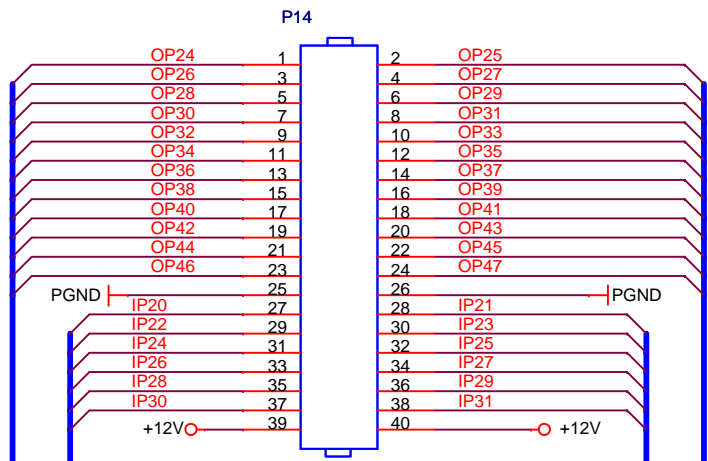
HEBER LTD.
 Belvedere Mill
 Chalfont, Stroud, GL6 8NT
 Tel: +44 (0) 1453 886000
 Fax: +44 (0) 1453 885013

Title
 Pluto 5 EVALUATION BOARD- LAMP Multiplex LEDs Page 2

Size
 A3 Document Number
 56-16781 Rev
 3

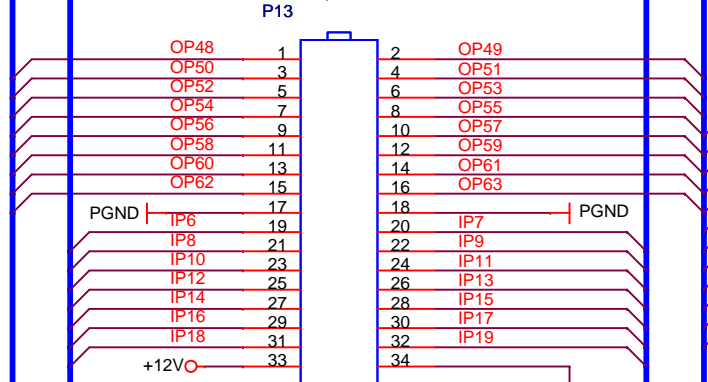
Date: Wednesday, June 28, 2006 Sheet 4 of 10

I/O 1



HDR 40W LOW PROFILE BOX

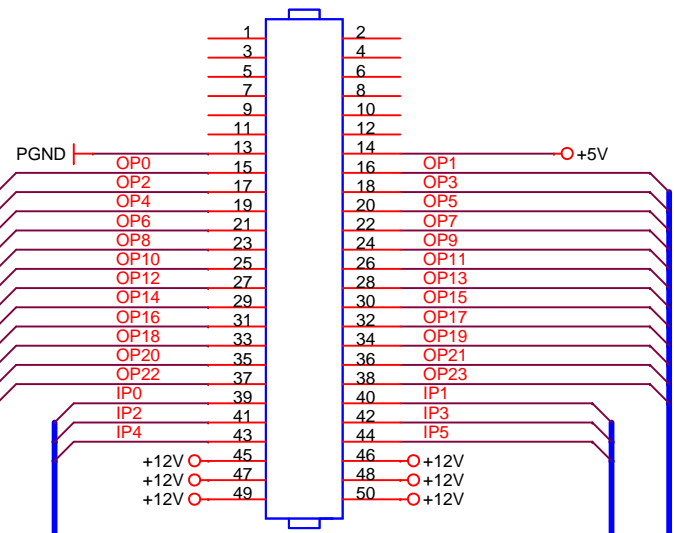
I/O 2



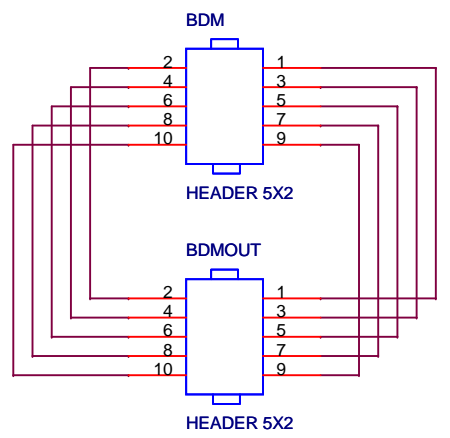
HDR 34W LOW PROFILE BOX

VMETER+

P12 REELS



HDR 50W LOW PROFILE BOX



HEADER 5X2

BDMOUT

HEADER 5X2

6,8 IP[0..31]

IP[0..31]

6,7,8 OP[0..63]

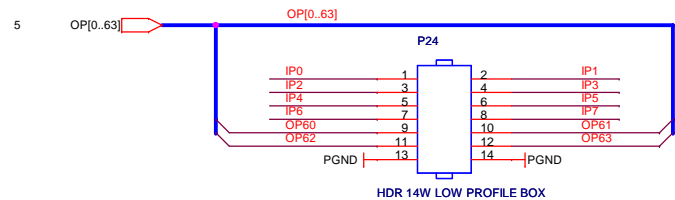
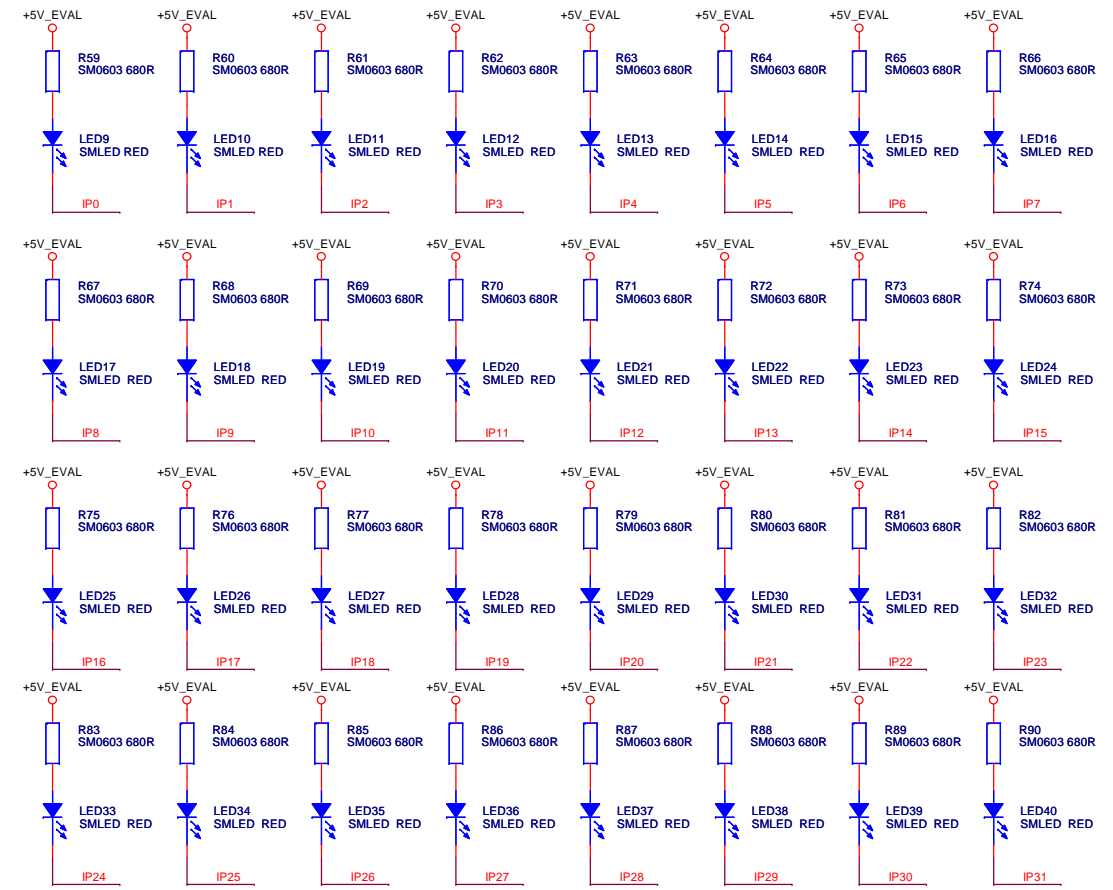
OP[0..63]

HEBER LTD.
 Belvedere Mill
 Chalford, Stroud, GL6 8NT
 Tel: +44 (0) 1453 886000
 Fax: +44 (0) 1453 885013

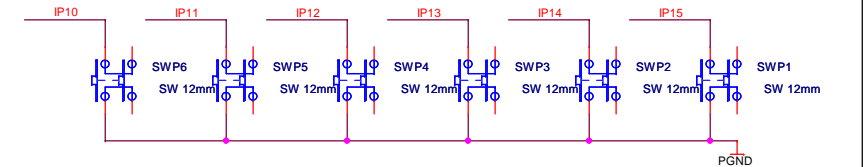
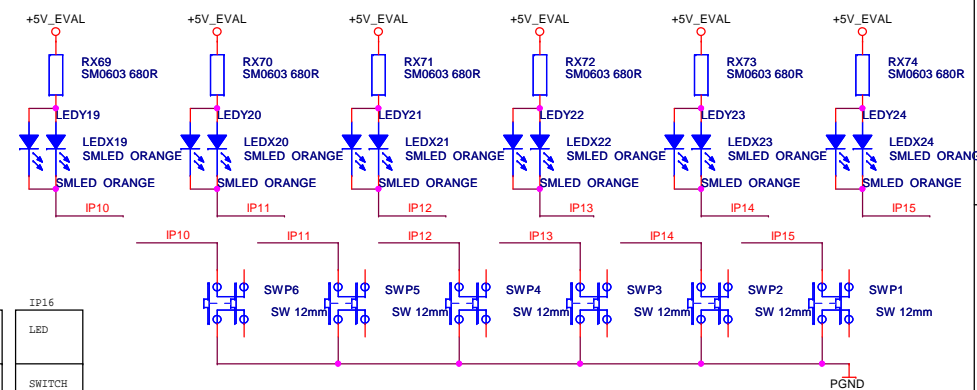
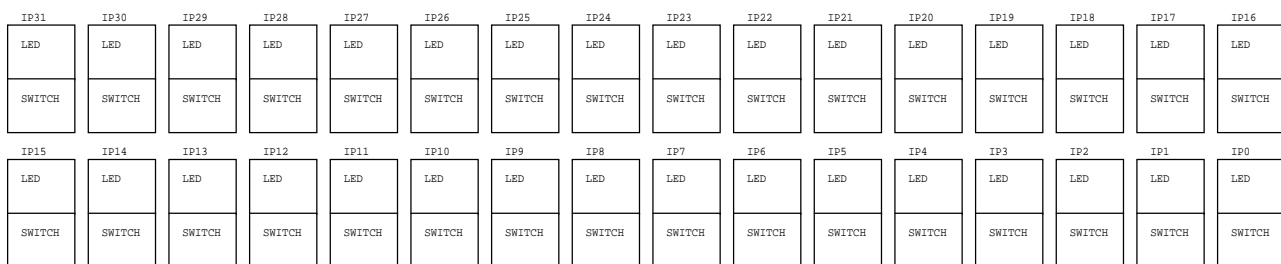
Title
 Pluto 5 EVALUATION BOARD- IO Connectors

Size A4	Document Number 56-16781	Rev 3
------------	-----------------------------	----------

Date: Wednesday, June 28, 2006 Sheet 5 of 10



PCB LAYOUT

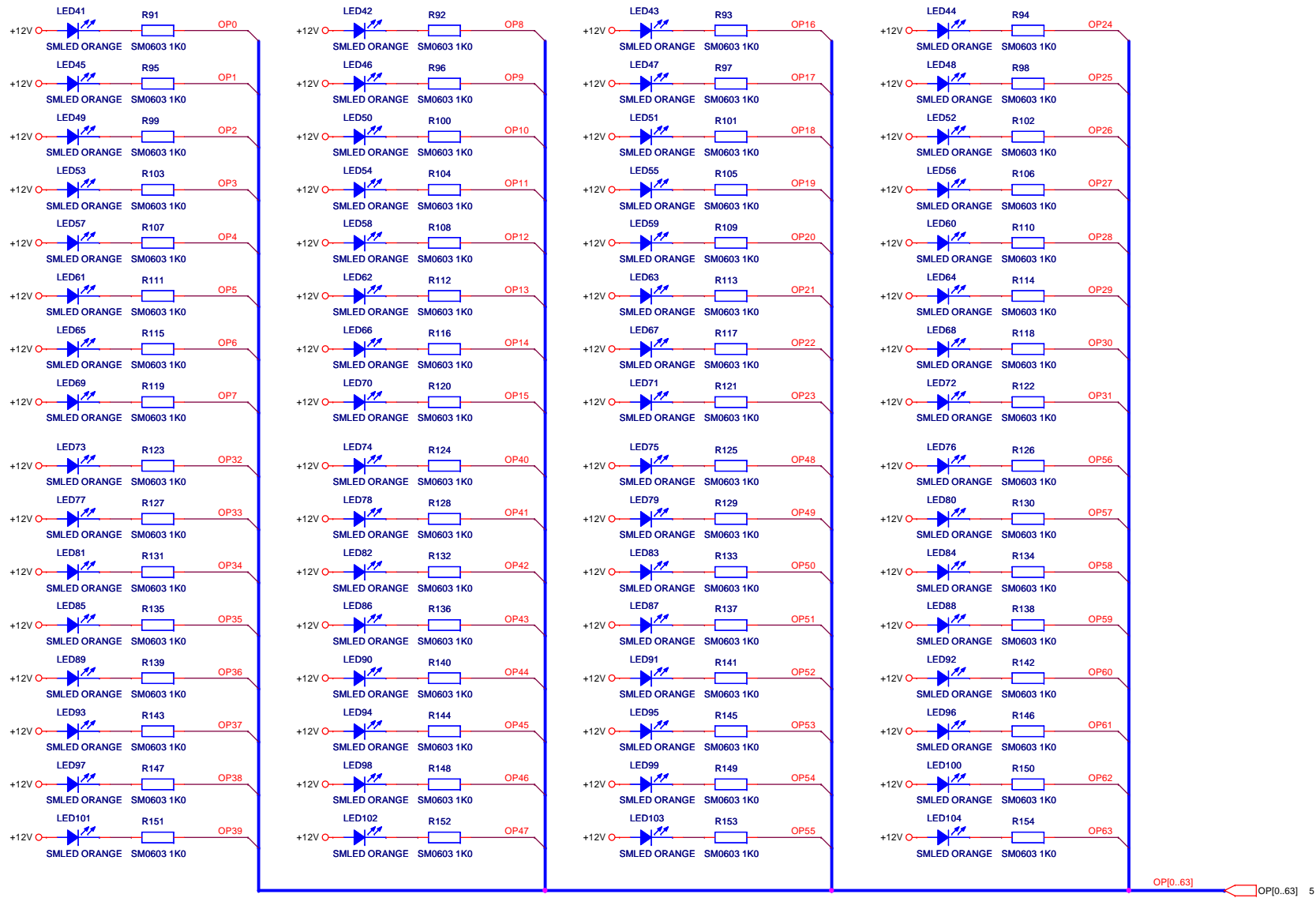


HEBER LTD.
 Belvedere Mill
 Chalford, Stroud, GL6 8NT
 Tel: +44 (0) 1453 886000
 Fax: +44 (0) 1453 885013

Title
 Pluto 5 EVALUATION BOARD- IO Connectors

Size A3 Document Number 56-16781 Rev 3

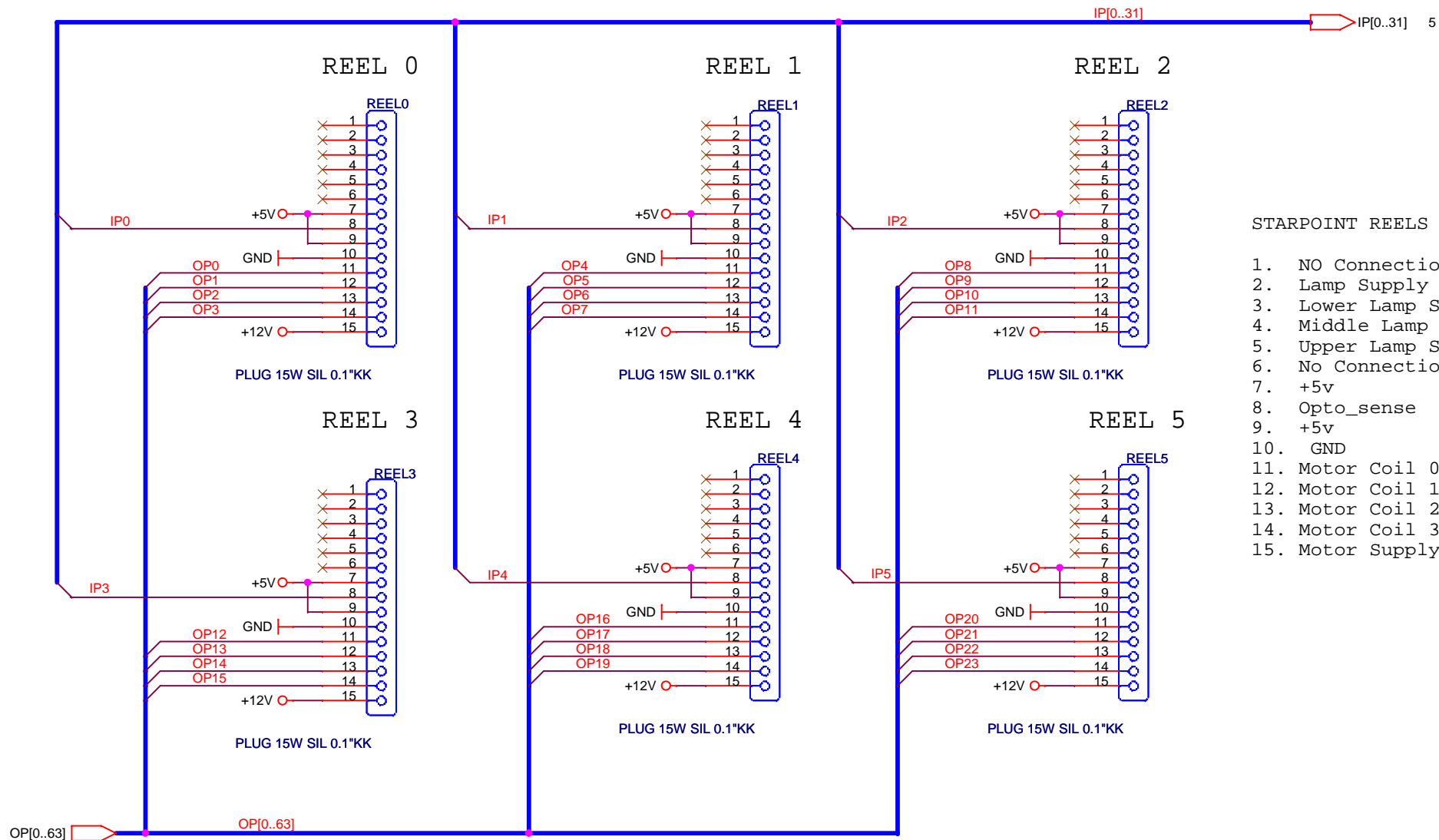
Date: Wednesday, June 28, 2006 Sheet 6 of 10



PCB LAYOUT

OP63	OP55
OP54	OP48
OP47	OP40
OP40	OP32
OP31	OP24
OP23	OP16
OP15	OP8
OP7	OP0

HEBER LTD.		
Belvedere Mill Chalford, Stroud, GL6 8NT Tel: +44 (0) 1453 886000 Fax: +44 (0) 1453 885013		
Title Pluto 5 EVALUATION BOARD- Reels		
Size A3	Document Number 56-16781	Rev 3
Date: Wednesday, June 28, 2006	Sheet 7	of 10



STARPOINT REELS

1. NO Connection
2. Lamp Supply
3. Lower Lamp Sink (Strobe 0)
4. Middle Lamp Sink (Strobe 1)
5. Upper Lamp Sink (Strobe 2)
6. No Connection
7. +5v
8. Opto_sense
9. +5v
10. GND
11. Motor Coil 0
12. Motor Coil 1
13. Motor Coil 2
14. Motor Coil 3
15. Motor Supply

HEBER LTD.

Belvedere Mill
Chalford, Stroud, GL6 8NT
Tel: +44 (0) 1453 886000
Fax: +44 (0) 1453 885013

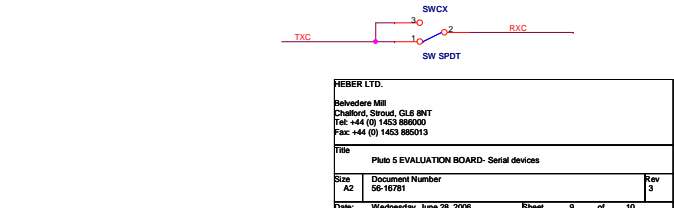
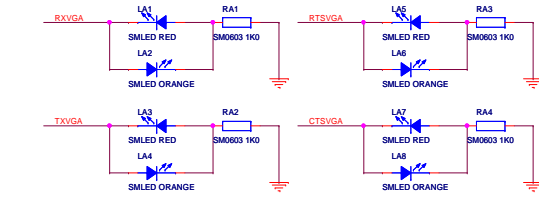
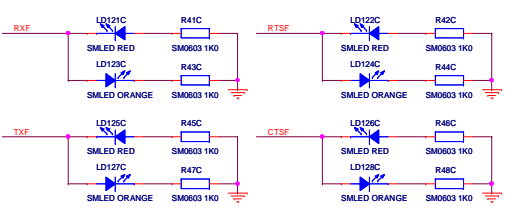
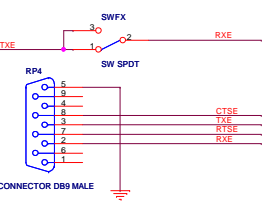
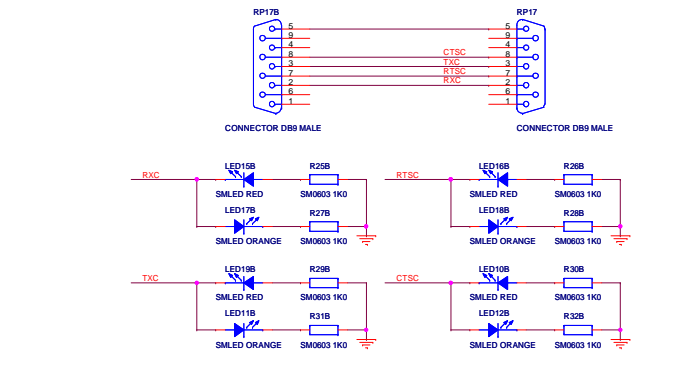
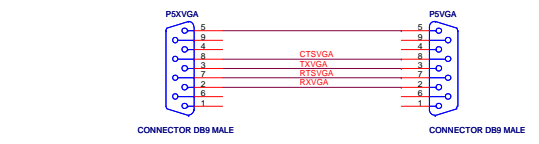
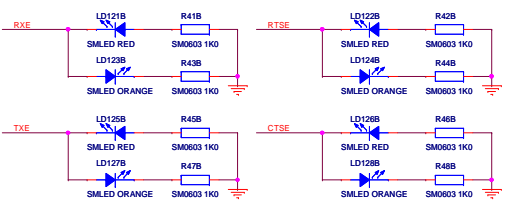
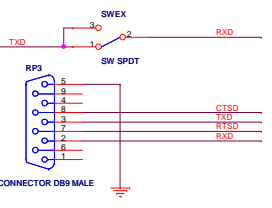
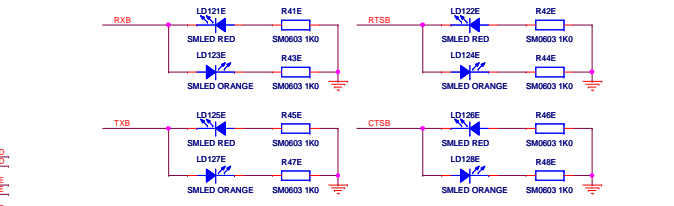
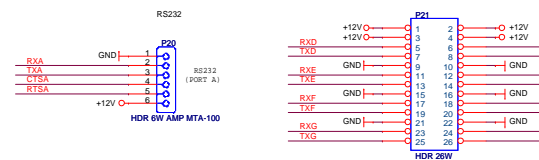
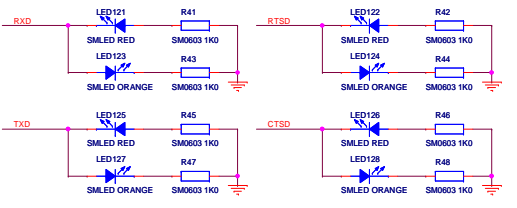
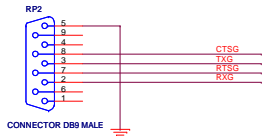
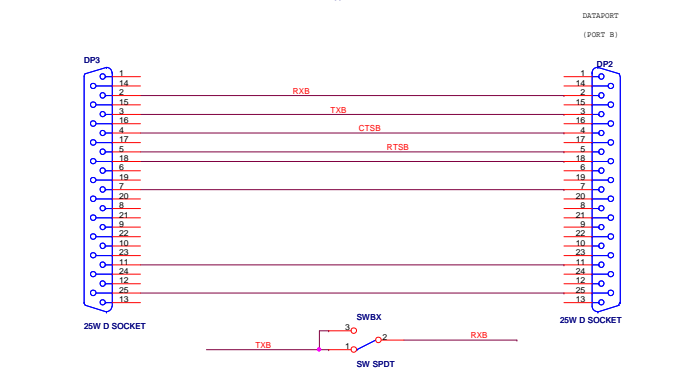
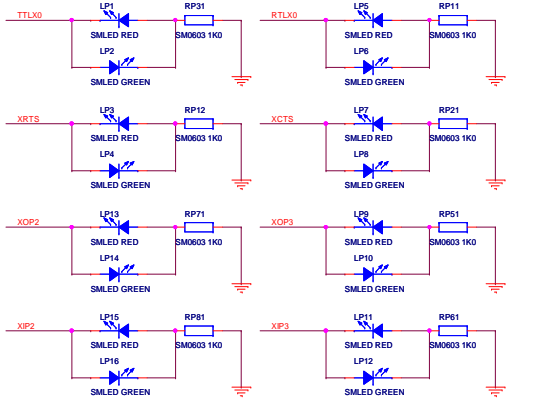
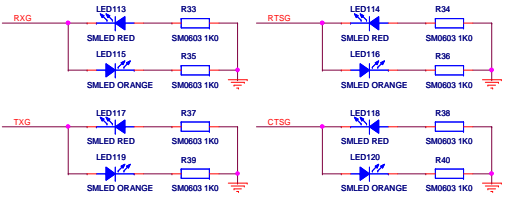
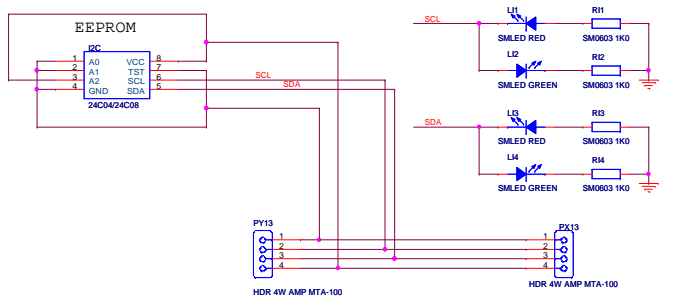
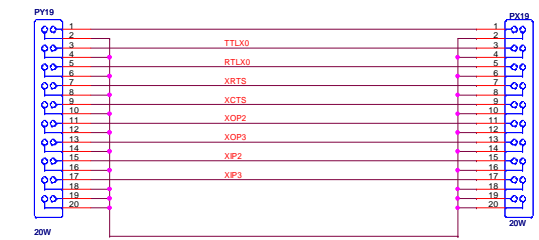
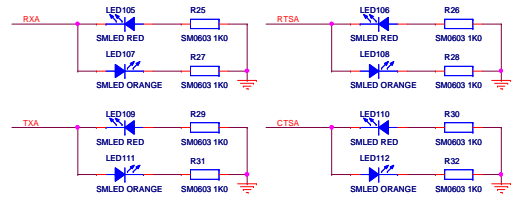
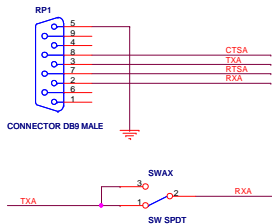
Title
Pluto 5 EVALUATION BOARD- Reels

Size A4 Document Number 56-16781

Rev 3

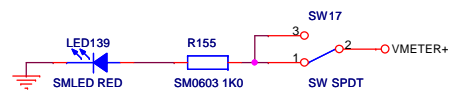
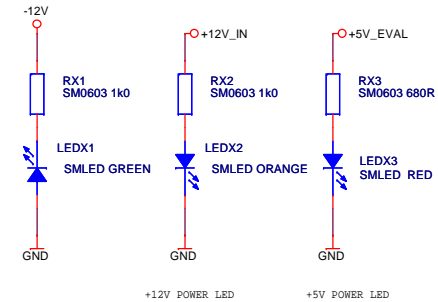
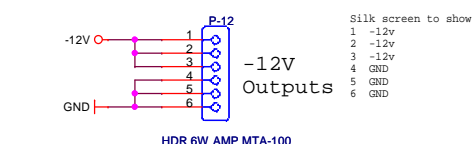
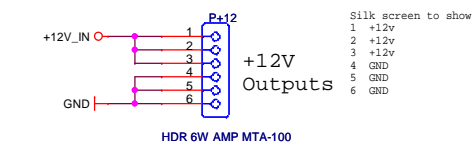
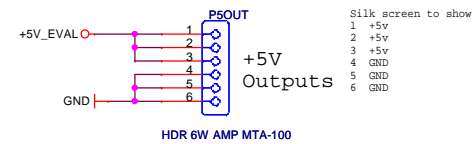
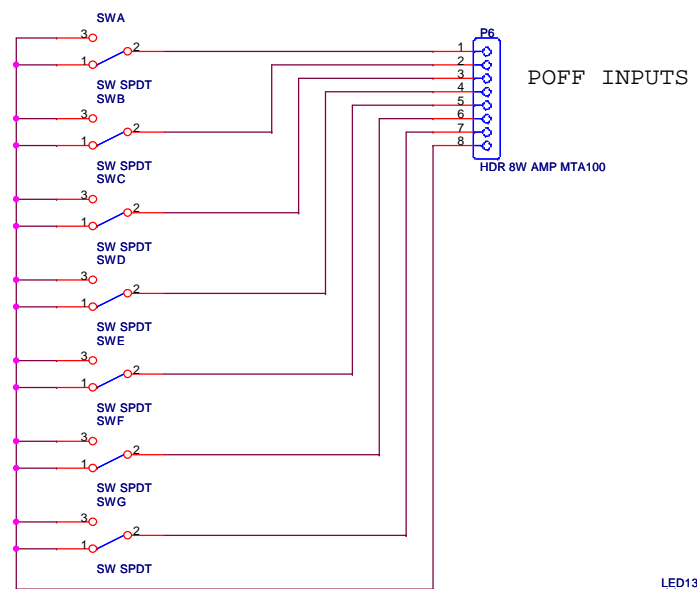
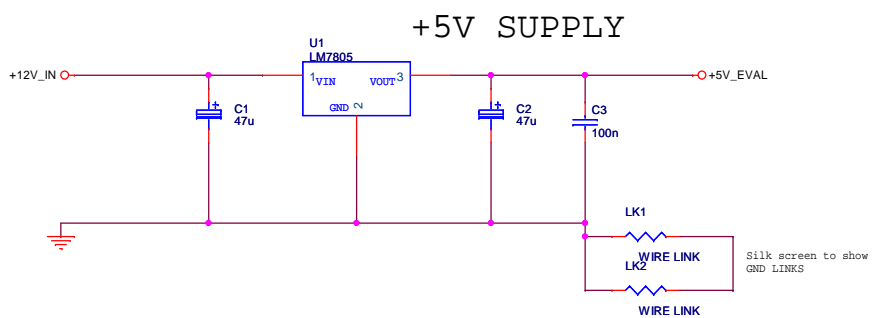
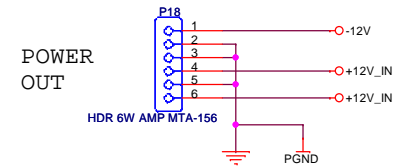
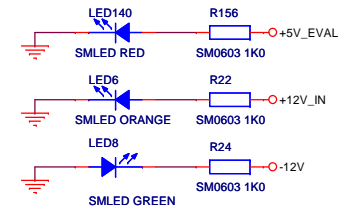
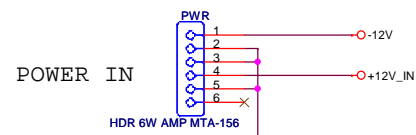
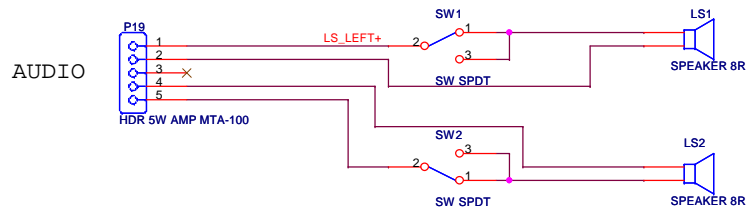
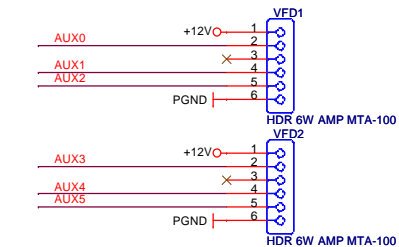
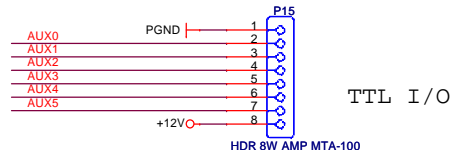
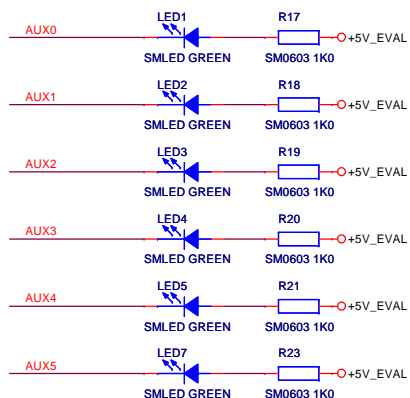
Date: Wednesday, June 28, 2006

Sheet 8 of 10



HEBER LTD.
 Belvedere Hill
 Chalfont Street, GL6 8NT
 Tel: +44 (0) 1453 886000
 Fax: +44 (0) 1453 885013

Title: Pluto 6 EVALUATION BOARD- Serial devices
 Size: A2
 Document Number: 85-16781
 Date: Wednesday, June 28, 2006
 Sheet: 9 of 10



HEBER LTD.		
Belvedere Mill Chalford, Stroud, GL6 8NT Tel: +44 (0) 1453 886000 Fax: +44 (0) 1453 885013		
Title Pluto 5 EVALUATION BOARD- LAMP Multiplex LEDs		
Size A3	Document Number 56-16781	Rev 3
Date: Wednesday, June 28, 2006	Sheet 10	of 10