

Sheet 02 - Lamp MPX



Sheet 02 - Lamp MPX

Sheet 03 - LEDES 0 - 15



Sheet 03 - LEDES 0 - 15

Sheet 04 - LEDES 16 - 31



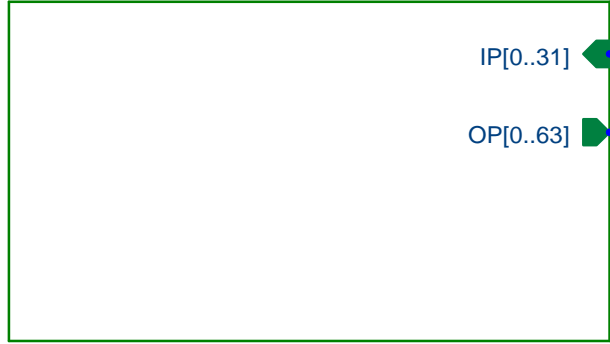
Sheet 04 - LEDES 16 - 31

DIG[0..15]
SEG[0..15]

DIG[0..15]
SEG[0..15]

DIG[0..15]
SEG[0..15]

Sheet 05 - IO Connectors

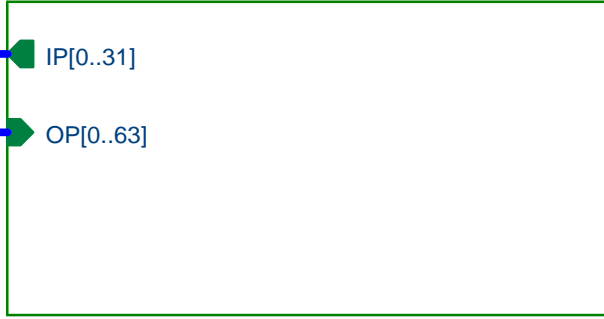


Sheet 05 - IO Connectors

IP[0..31]
OP[0..63]

IP[0..31]
OP[0..63]

Sheet 06 - Inputs



Sheet 06 - Inputs
Sheet 07 - Outputs

OP[0..63]

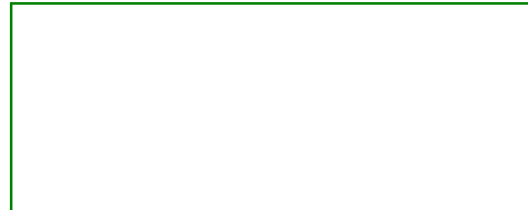
Sheet 07 - Outputs
Sheet 08 - REEL Connectors

OP[0..63]

IP[0..31]

Sheet 08 - REEL Connectors

Sheet 12 - POWER



Sheet 12 - POWER

Sheet 09 - RS232



Sheet 09 - RS232

Sheet 10 - CCTALK/TTL/RS485



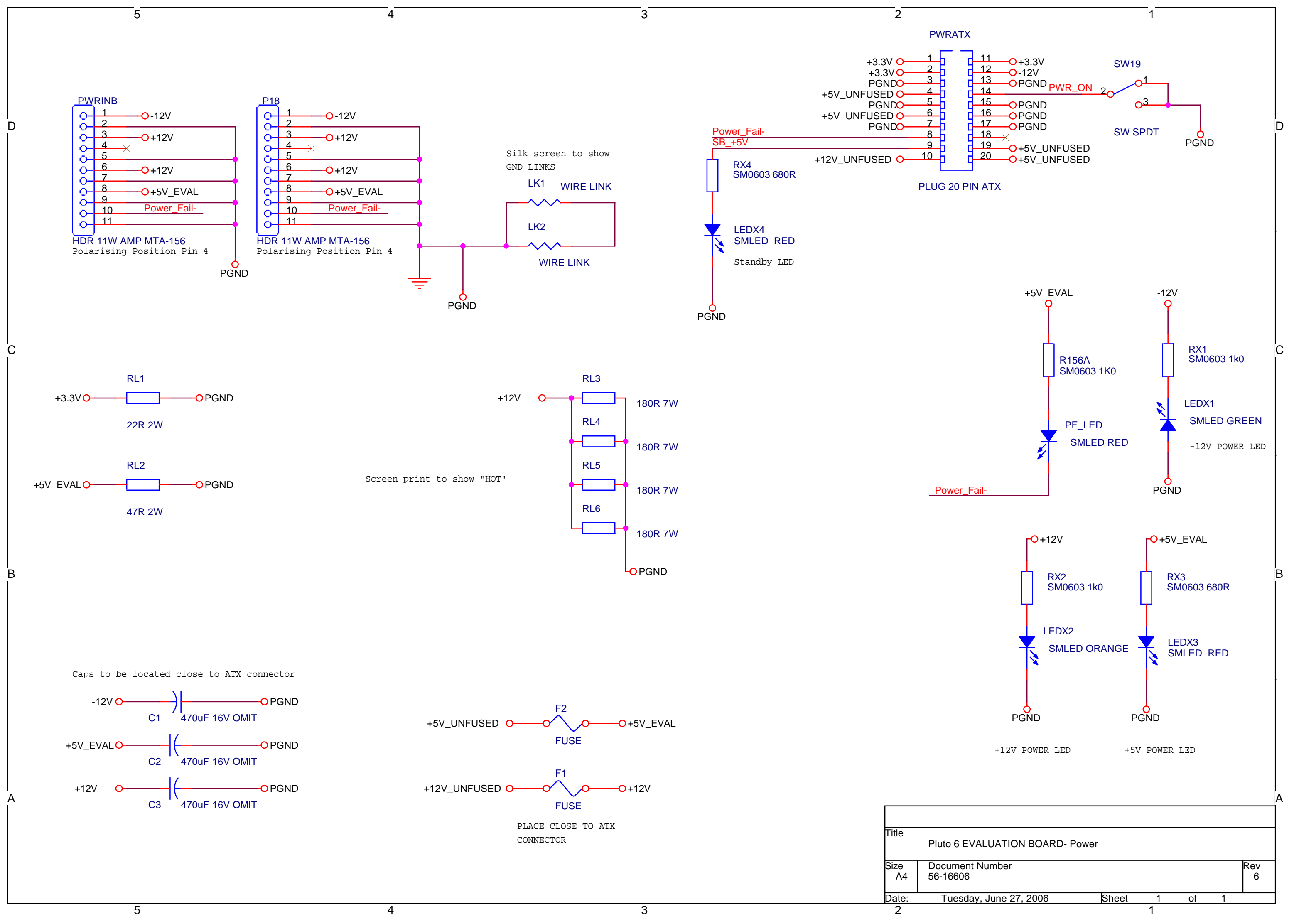
Sheet 10 - CCTALK/TTL/RS485

Sheet 11 - KEYS/AUDIO



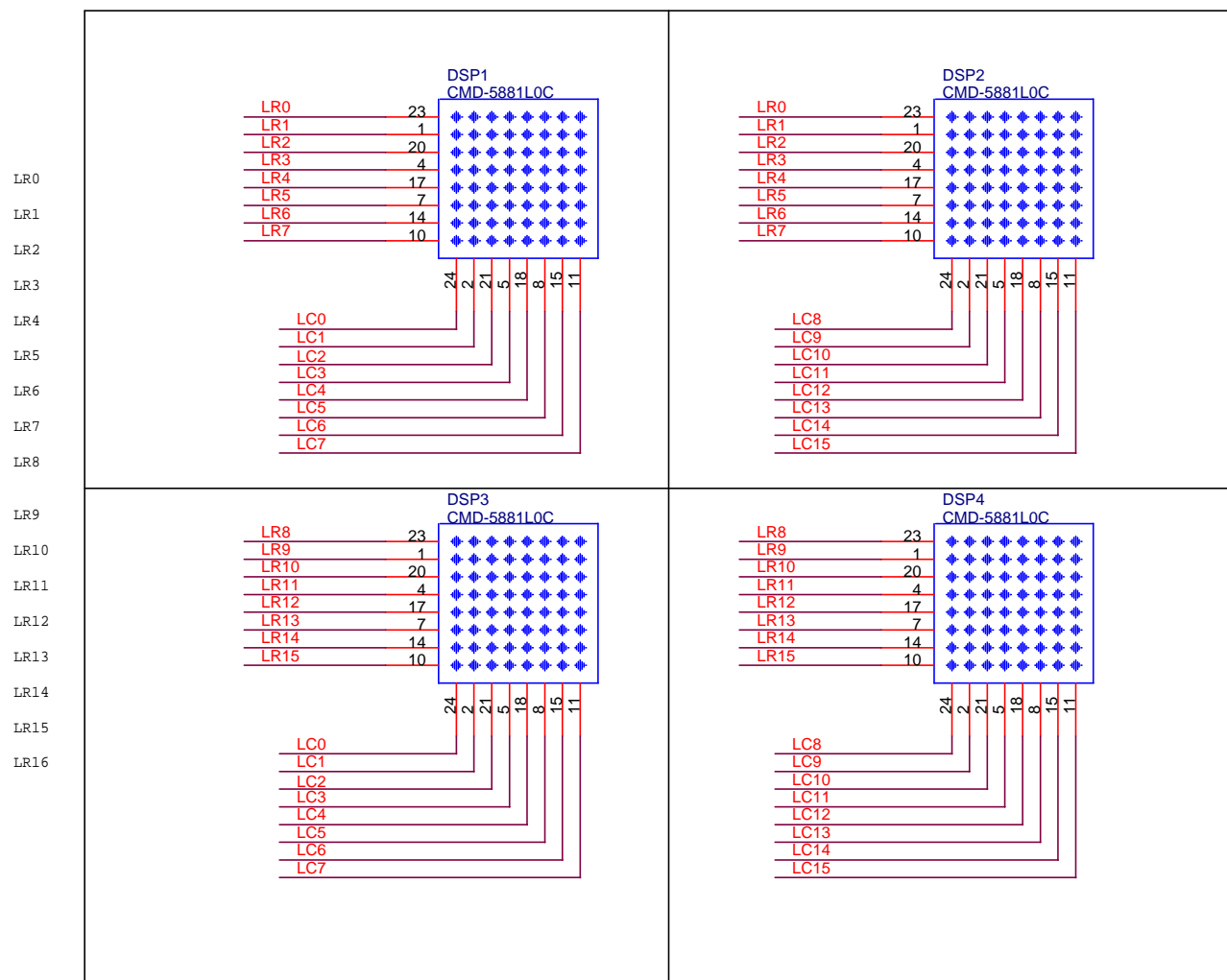
Sheet 11 - KEYS/AUDIO

HEBER LTD. Belvedere Mill Chalford, Stroud, GL6 8NT Tel: +44 (0) 1453 886000 Fax: +44 (0) 1453 885013		
Title Pluto 6 EVALUATION BOARD- ROOT SHEET		
Size A4	Document Number 56-16606	Rev 6
Date: Tuesday, June 27, 2006	Sheet 1 of 11	

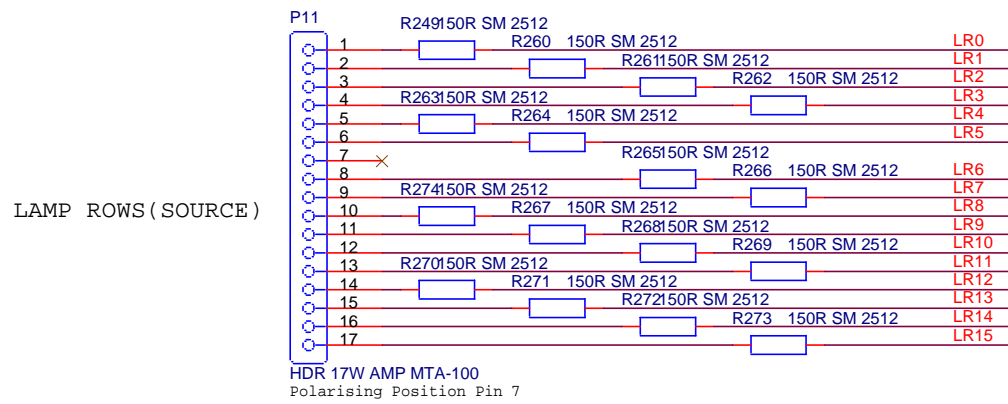
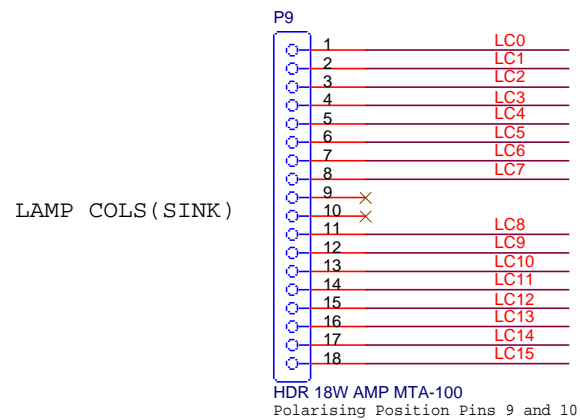


Title		
Pluto 6 EVALUATION BOARD- Power		
Size	Document Number	Rev
A4	56-16606	6
Date:	Tuesday, June 27, 2006	Sheet 1 of 1

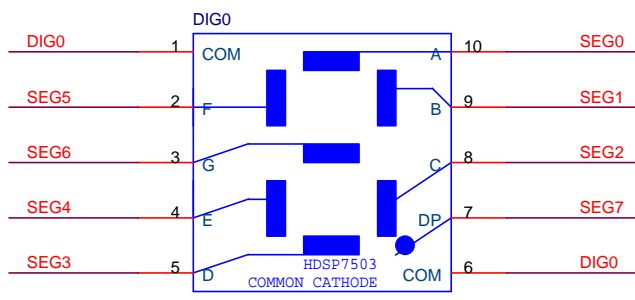
PCB LAYOUT



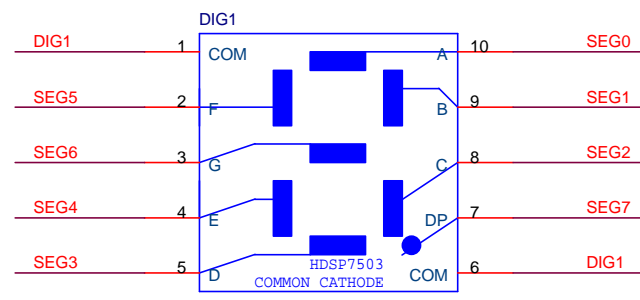
LC0 LC1 LC2 LC3 LC4 LC5 LC6 LC7 LC8 LC9 LC10LC11 LC12LC13LC14LC15



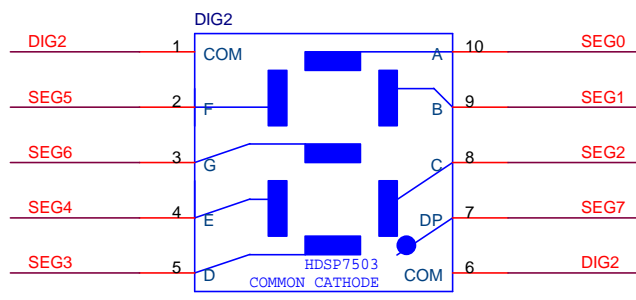
HEBER LTD.		
Belvedere Mill Chalford, Stroud, GL6 8NT Tel: +44 (0) 1453 886000 Fax: +44 (0) 1453 885013		
Title Pluto 6 EVALUATION BOARD- LAMP Multiplex LEADS		
Size A3	Document Number 56-16606	Rev 6
Date: Tuesday, June 27, 2006	Sheet 2	of 11



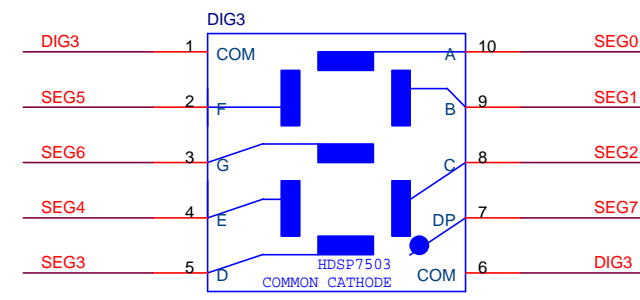
L TJ-811



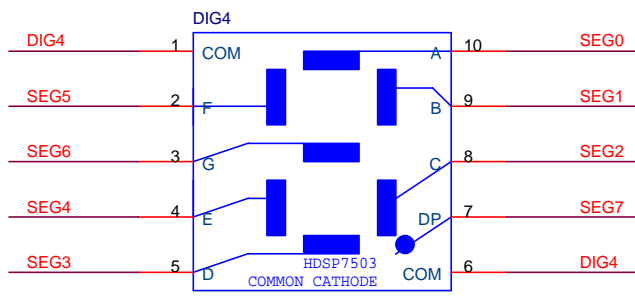
L TJ-811



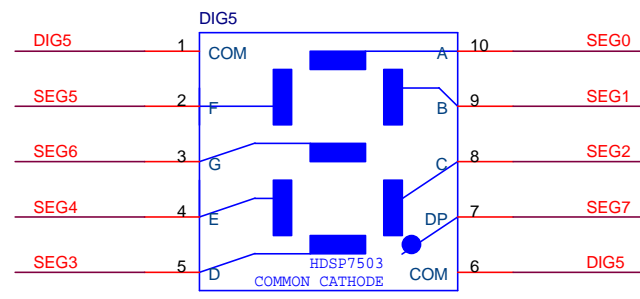
L TJ-811



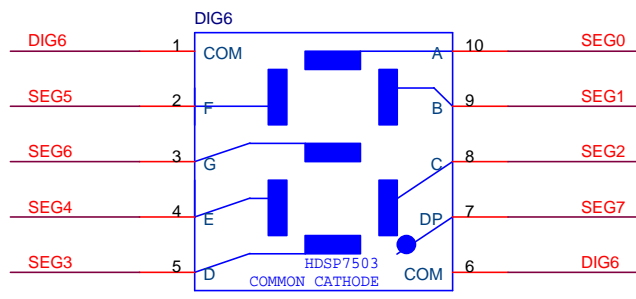
L TJ-811



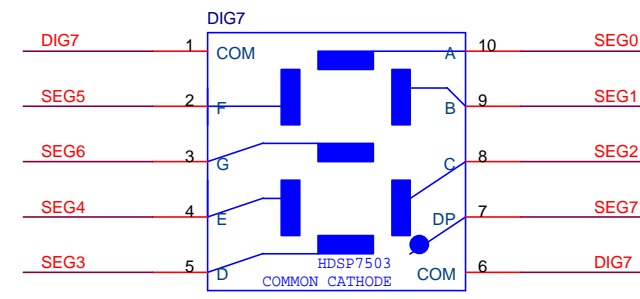
L TJ-811



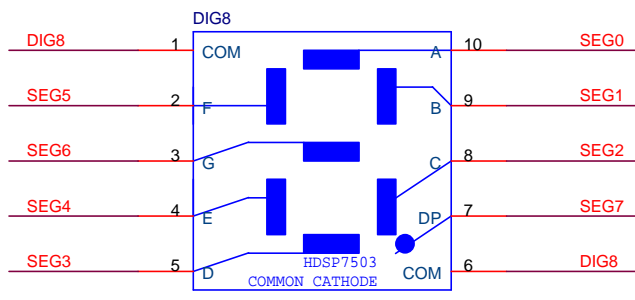
L TJ-811



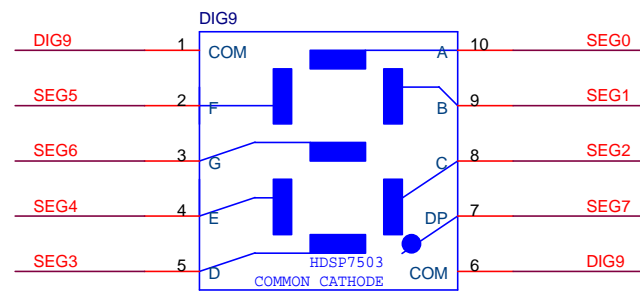
L TJ-811



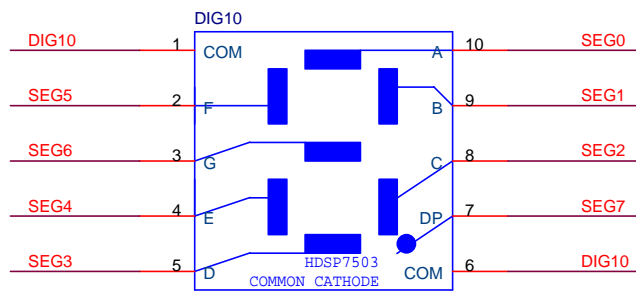
L TJ-811



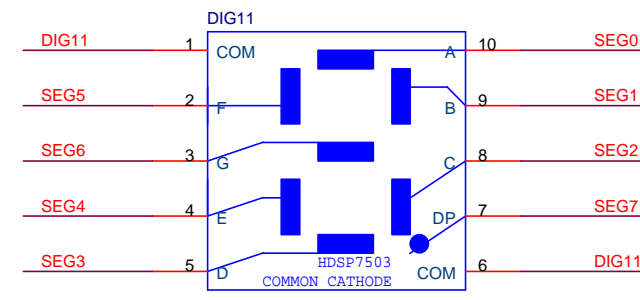
L TJ-811



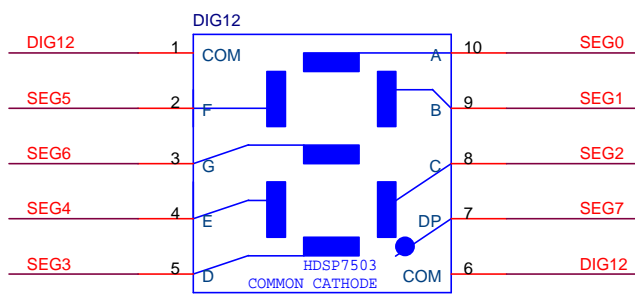
L TJ-811



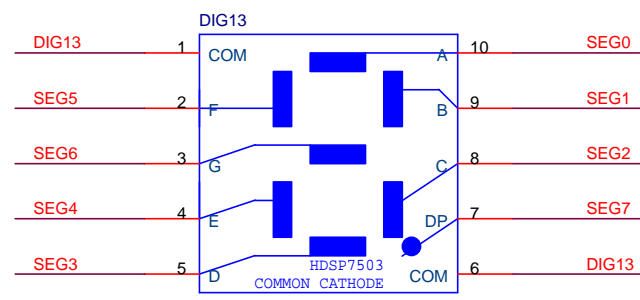
L TJ-811



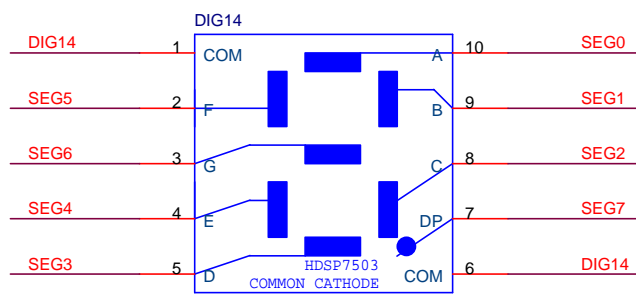
L TJ-811



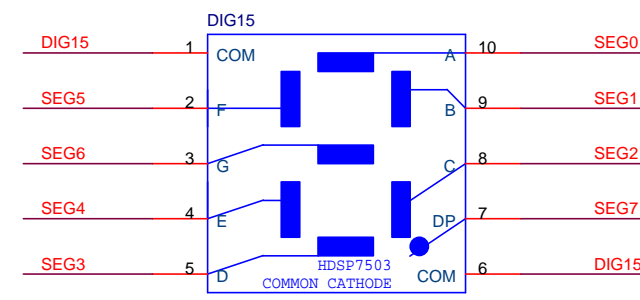
L TJ-811



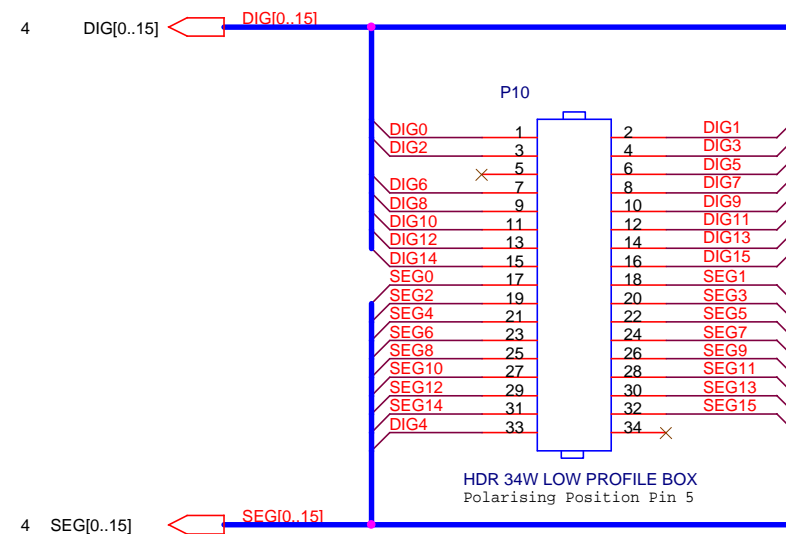
L TJ-811



L TJ-811



L TJ-811

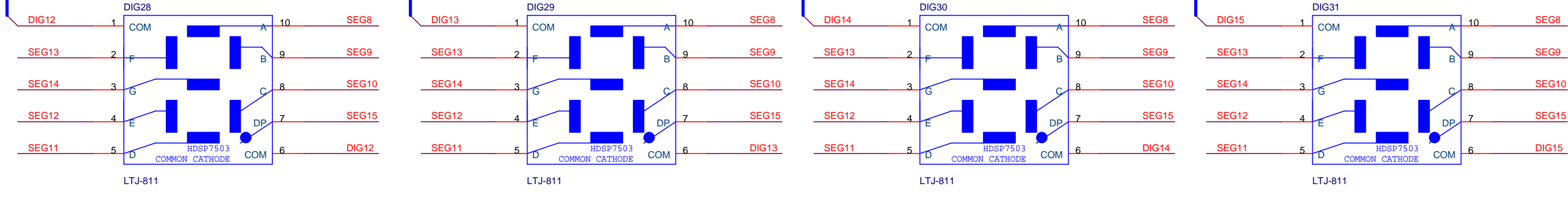
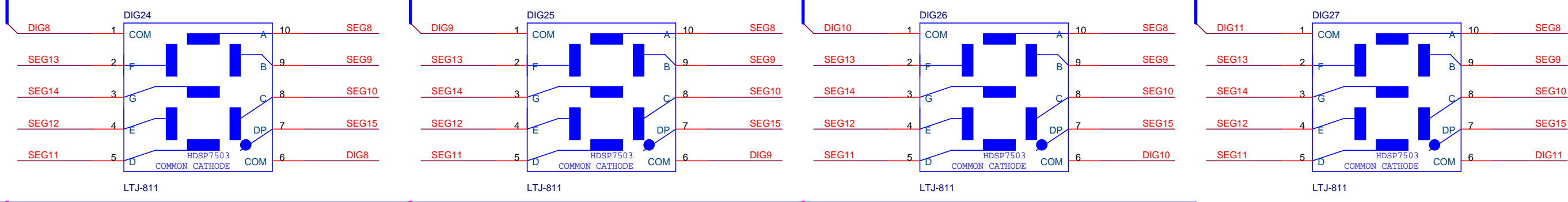
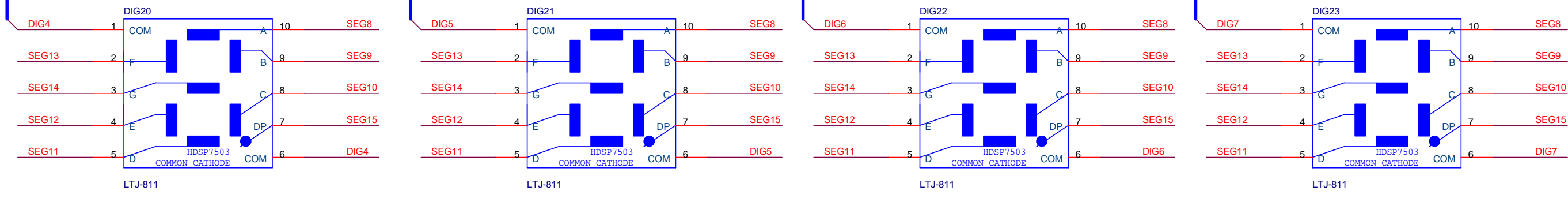
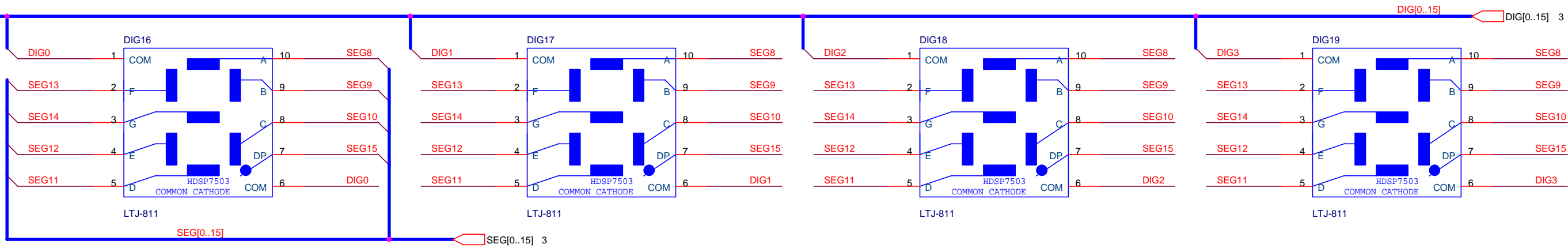


HEBER LTD.
Belvedere Mill
Chalford, Stroud, GL6 8NT
Tel: +44 (0) 1453 886000
Fax: +44 (0) 1453 885013

Title
Pluto 6 EVALUATION BOARD- LEDS 0 - 15

Size A3	Document Number 56-16606	Rev 6
------------	-----------------------------	----------

Date: Tuesday, June 27, 2006 Sheet 3 of 11



PCB LAYOUT

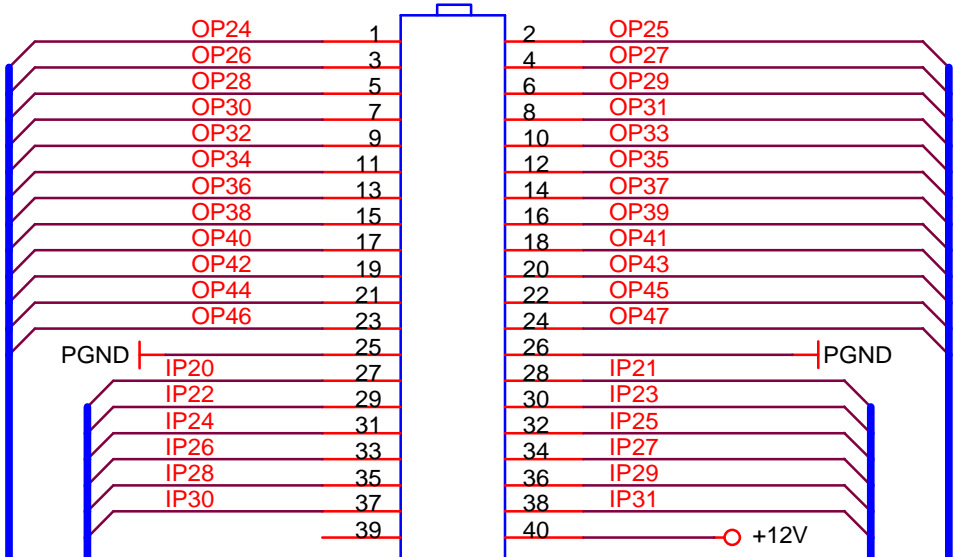
DIG16	DIG17	DIG18	DIG19	DIG20	DIG21	DIG22	DIG23	DIG24	DIG25	DIG26	DIG27	DIG28	DIG29	DIG30	DIG31
DIG0	DIG1	DIG2	DIG3	DIG4	DIG5	DIG6	DIG7	DIG8	DIG9	DIG10	DIG11	DIG12	DIG13	DIG14	DIG15

HEBER LTD.
 Belvedere Mill
 Chalford, Stroud, GL6 8NT
 Tel: +44 (0) 1453 886000
 Fax: +44 (0) 1453 885013

Title: Pluto 6 EVALUATION BOARD- LAMP Multiplex LEADS Page 2

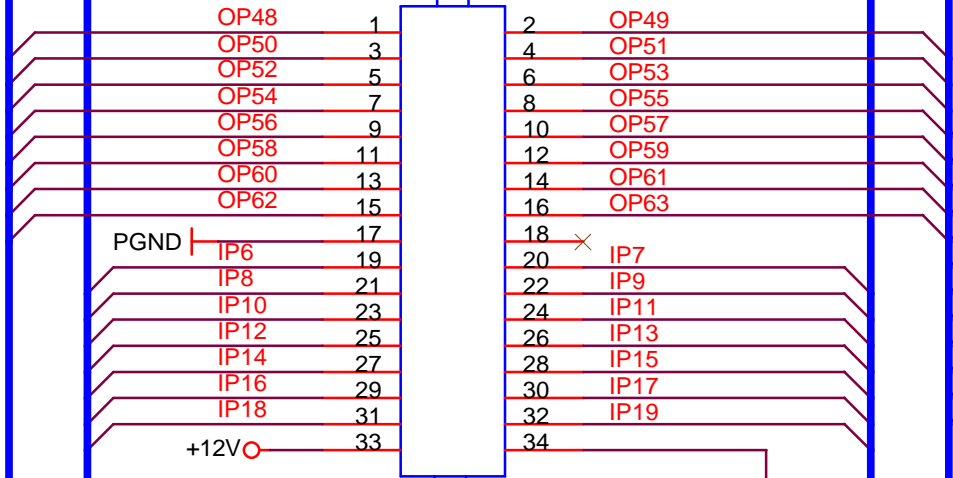
Size A3	Document Number 56-16606	Rev 6
Date: Tuesday, June 27, 2006	Sheet 4	of 11

P14 I/O 1



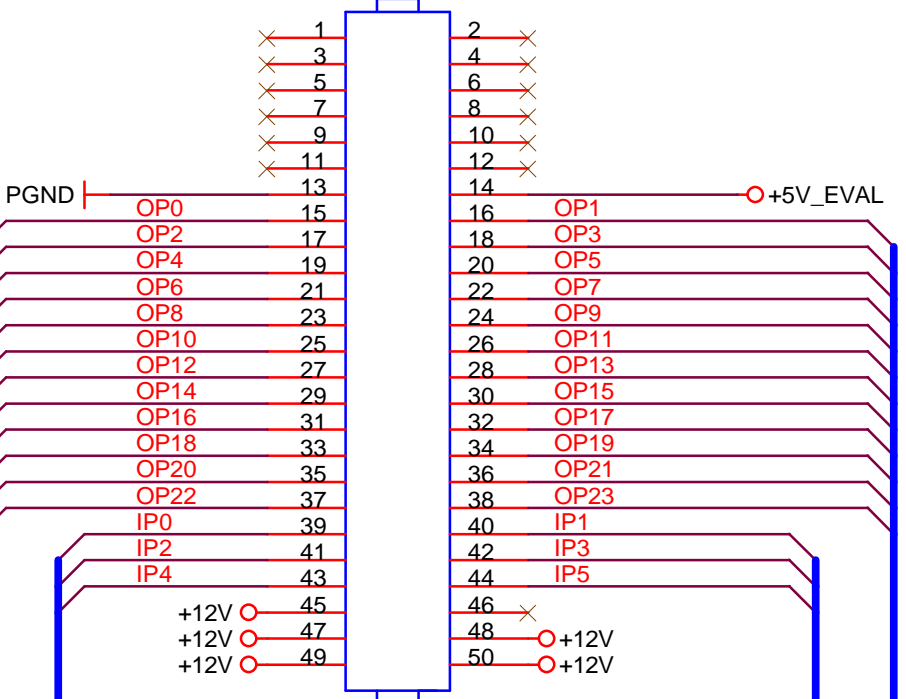
HDR 40W LOW PROFILE BOX
Polarising Position Pin 39

P13 I/O 2



HDR 34W LOW PROFILE BOX
Polarising Position Pin 18

P12 REELS



HDR 50W LOW PROFILE BOX
Polarising Position Pin 46

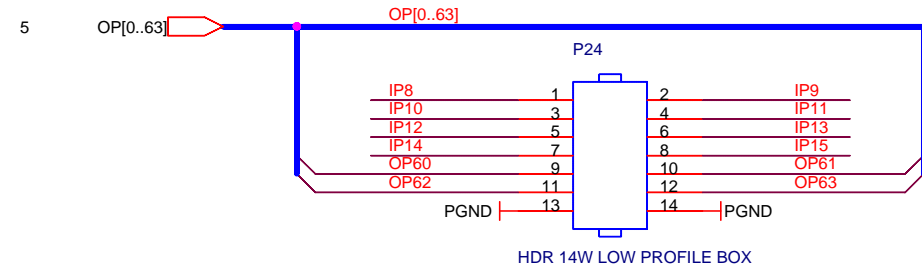
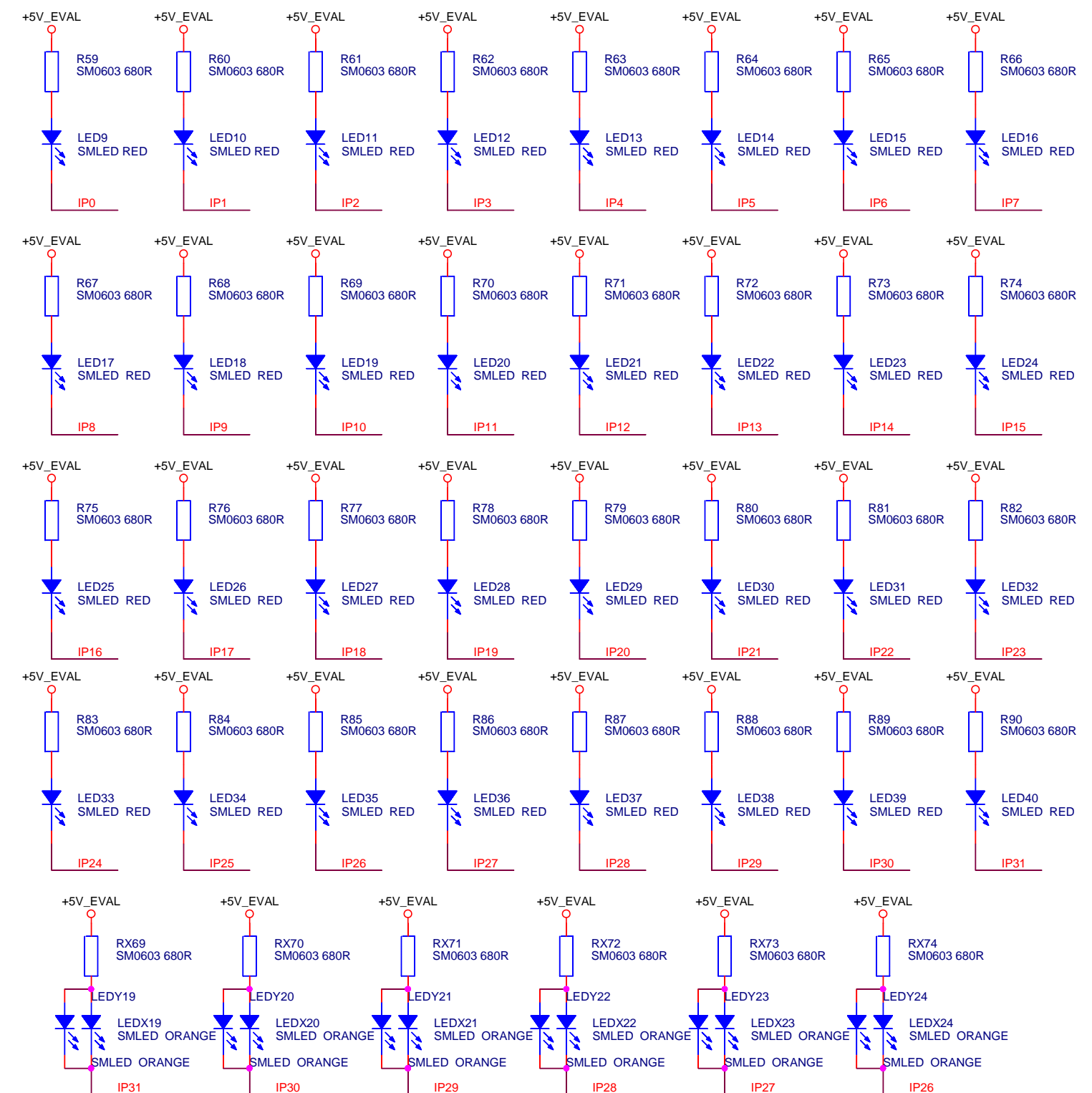
6,8 IP[0..31]

6,7,8 OP[0..63]

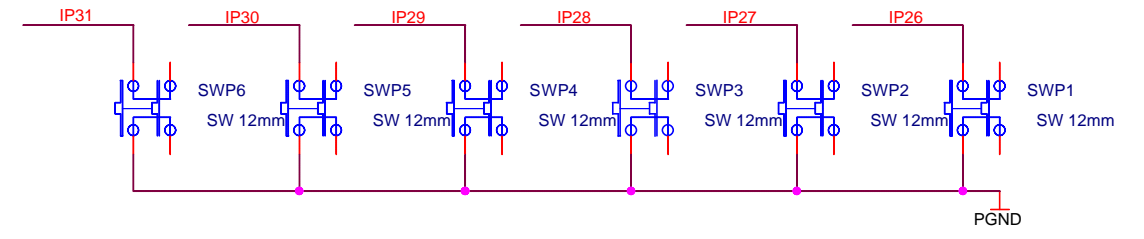
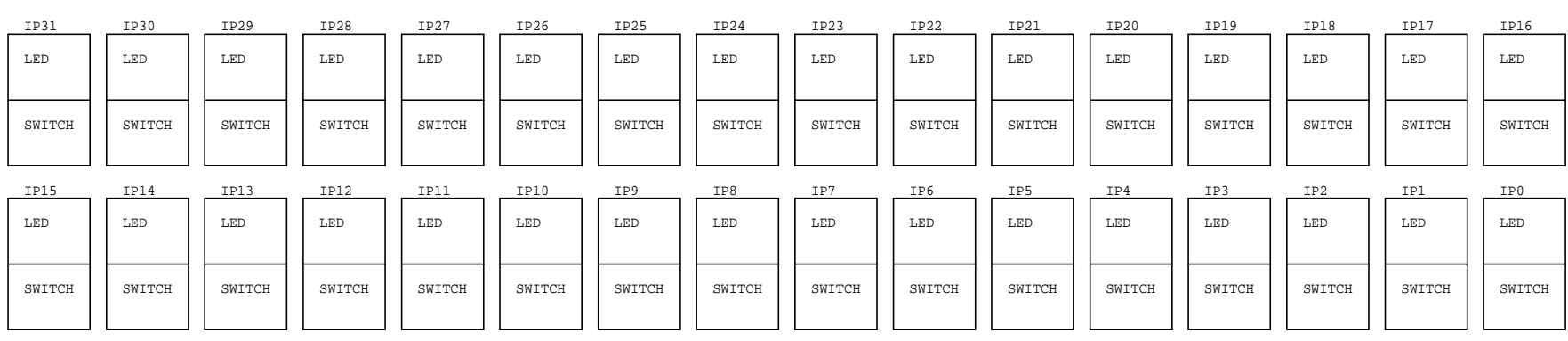
IP[0..31]

OP[0..63]

HEBER LTD. Belvedere Mill Chalford, Stroud, GL6 8NT Tel: +44 (0) 1453 886000 Fax: +44 (0) 1453 885013		
Title Pluto 6 EVALUATION BOARD- IO Connectors		
Size A4	Document Number 56-16606	Rev 6
Date: 2	Tuesday, June 27, 2006	Sheet 5 of 11



PCB LAYOUT

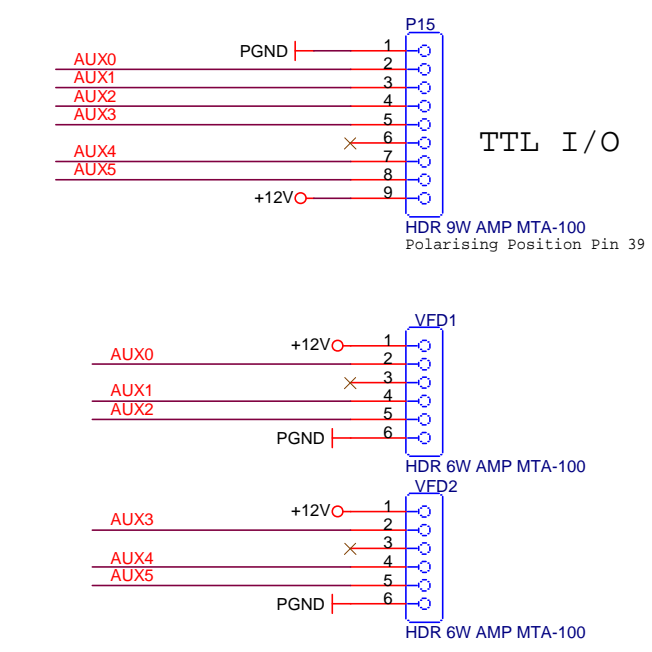
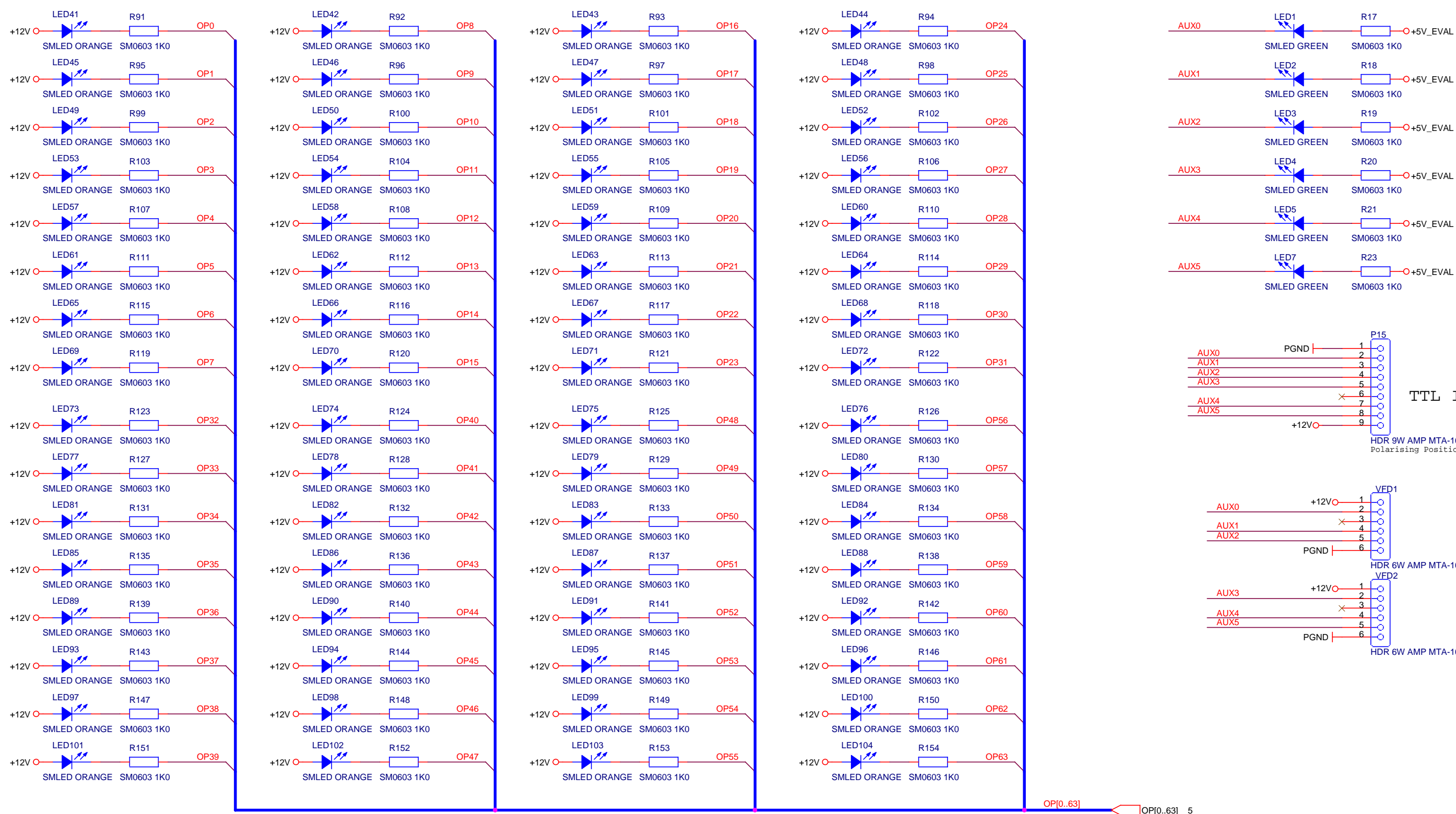


HEBER LTD.
 Belvedere Mill
 Chalford, Stroud, GL6 8NT
 Tel: +44 (0) 1453 886000
 Fax: +44 (0) 1453 885013

Title: Pluto 6 EVALUATION BOARD- IO Connectors

Size A3 Document Number 56-16606 Rev 6

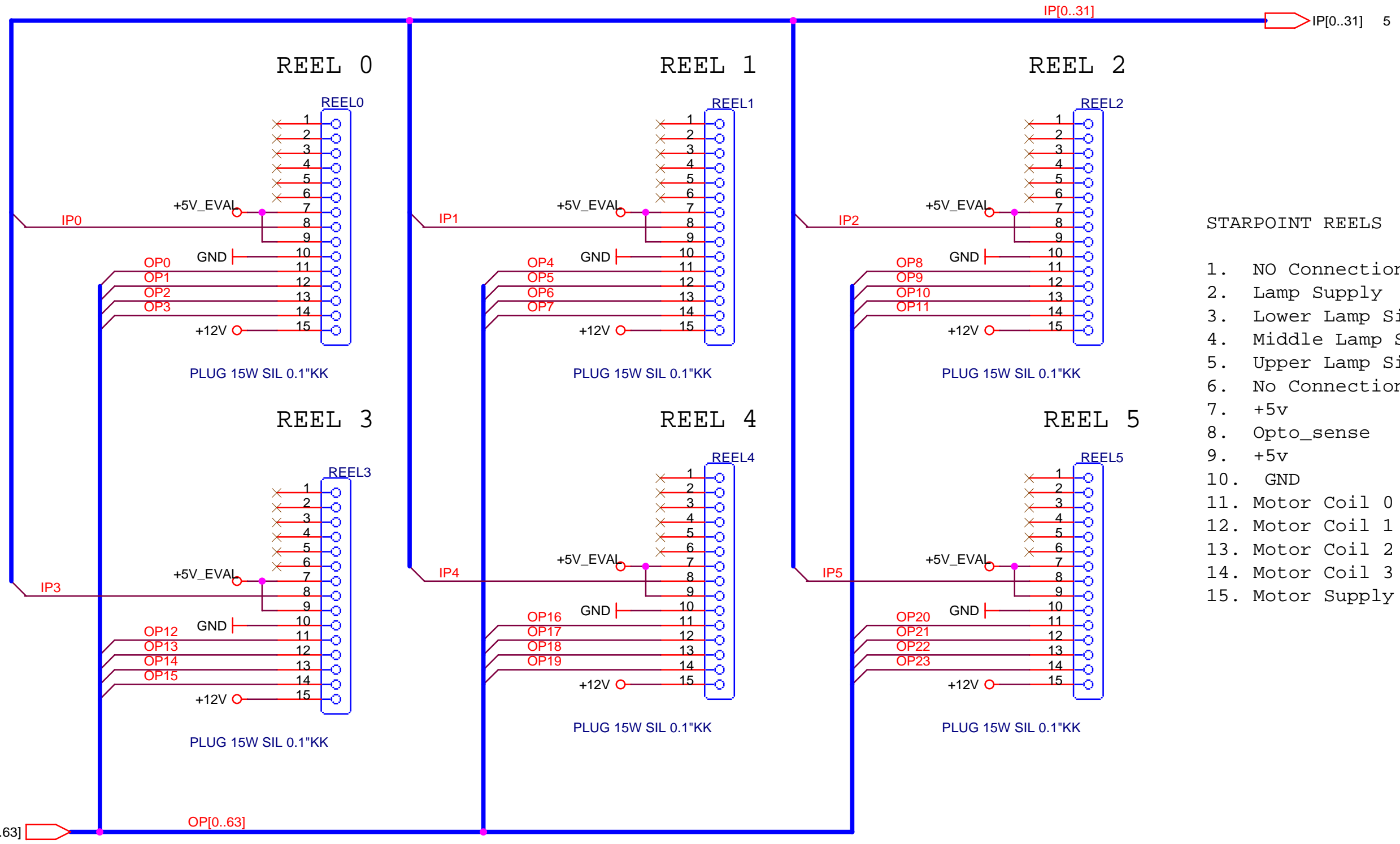
Date: Tuesday, June 27, 2006 Sheet 6 of 11



PCB LAYOUT

- OP63 OP55
- OP54 OP48
- OP47 OP40
- OP40 OP32
- OP31 OP24
- OP23 OP16
- OP15 OP8
- OP7 OP0

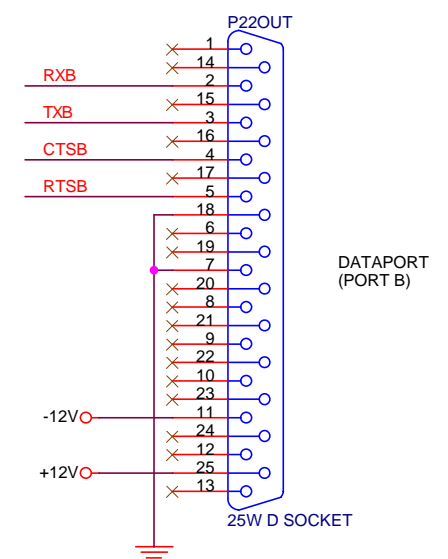
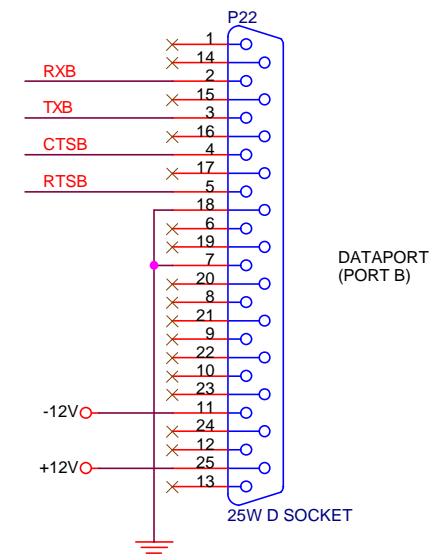
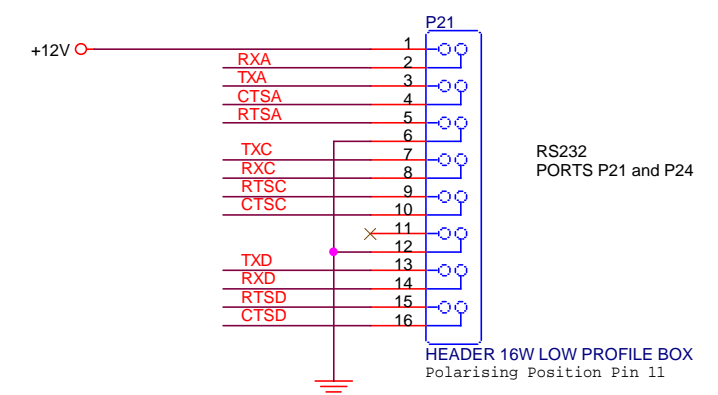
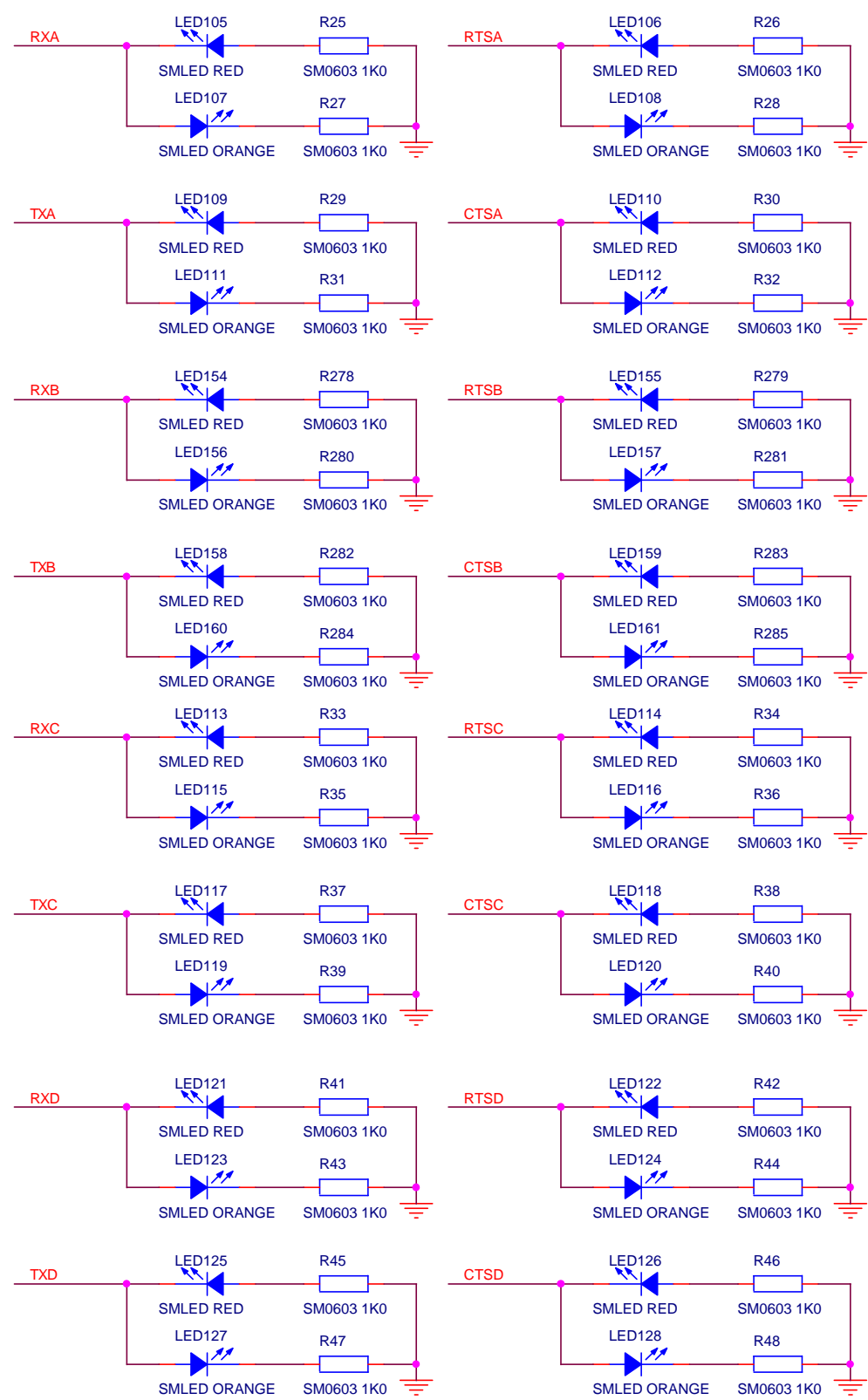
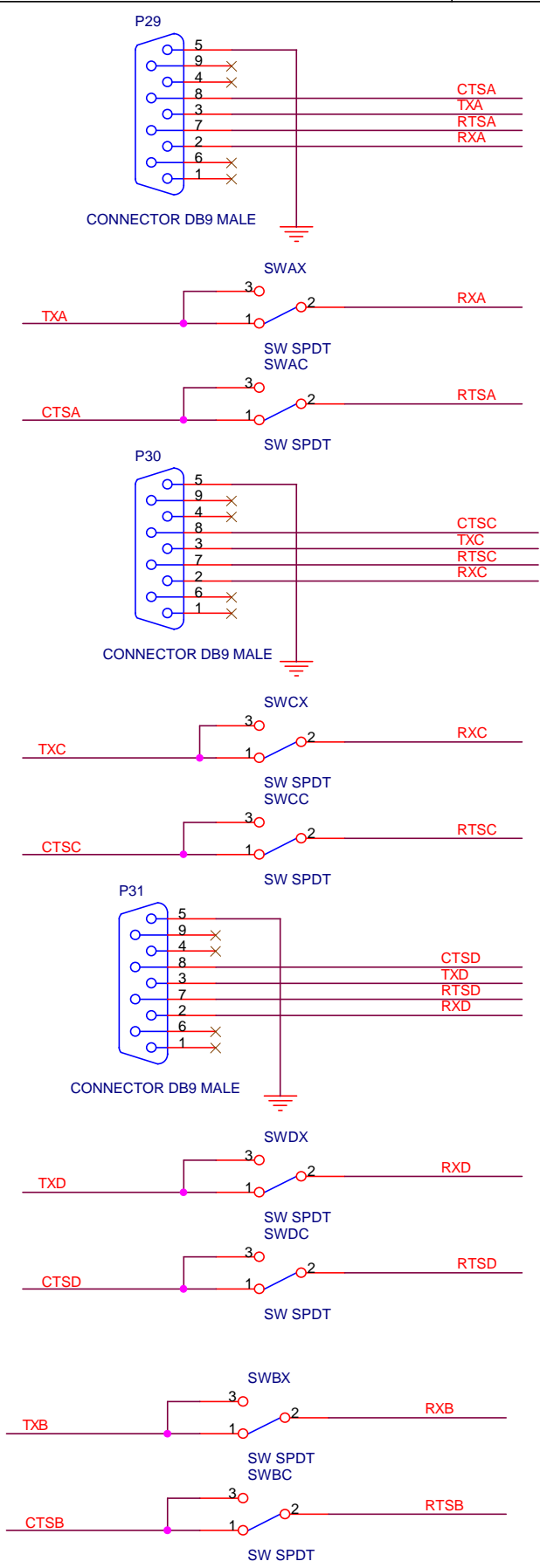
HEBER LTD. Belvedere Mill Chalford, Stroud, GL6 8NT Tel: +44 (0) 1453 886000 Fax: +44 (0) 1453 885013		
Title Pluto 6 EVALUATION BOARD- Reels		
Size A3	Document Number 56-16606	Rev 6
Date: Tuesday, June 27, 2006	Sheet 7	of 11



STARPOINT REELS

1. NO Connection
2. Lamp Supply
3. Lower Lamp Sink (Strobe 0)
4. Middle Lamp Sink (Strobe 1)
5. Upper Lamp Sink (Strobe 2)
6. No Connection
7. +5v
8. Opto_sense
9. +5v
10. GND
11. Motor Coil 0
12. Motor Coil 1
13. Motor Coil 2
14. Motor Coil 3
15. Motor Supply

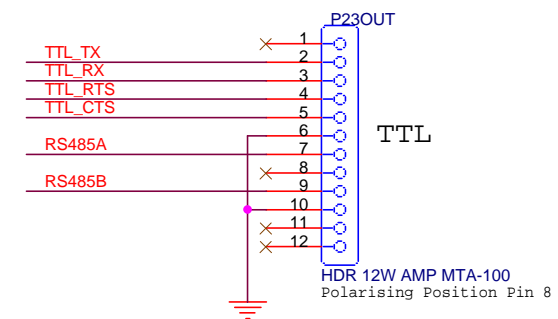
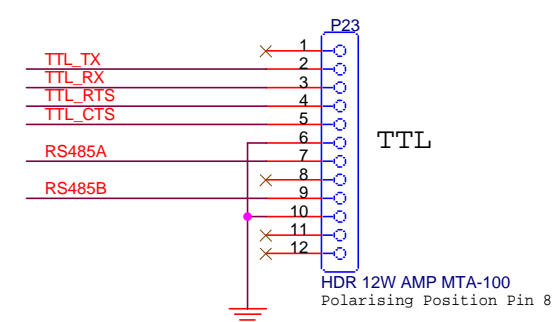
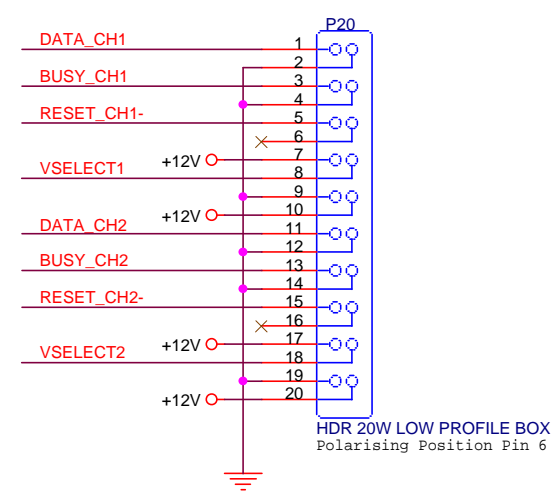
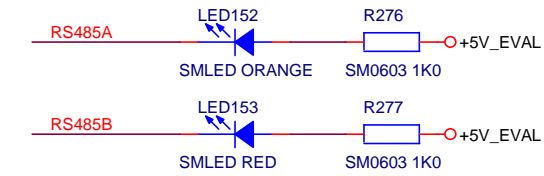
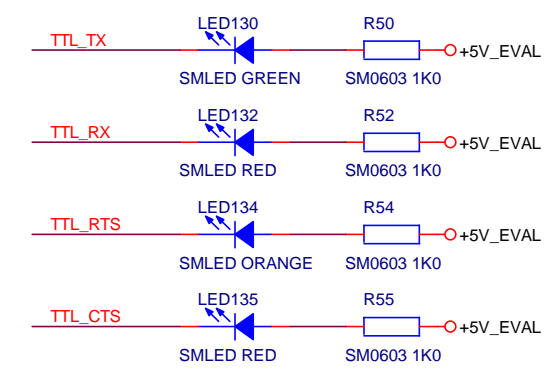
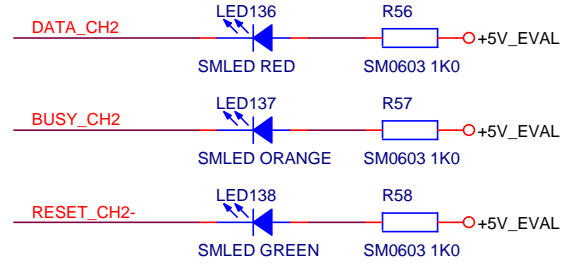
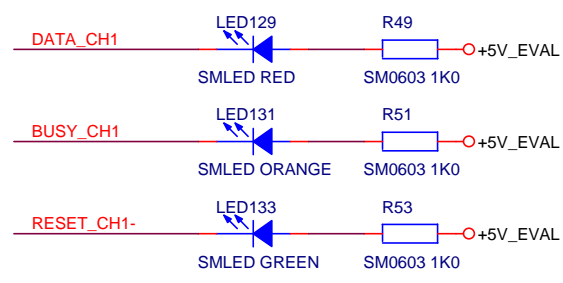
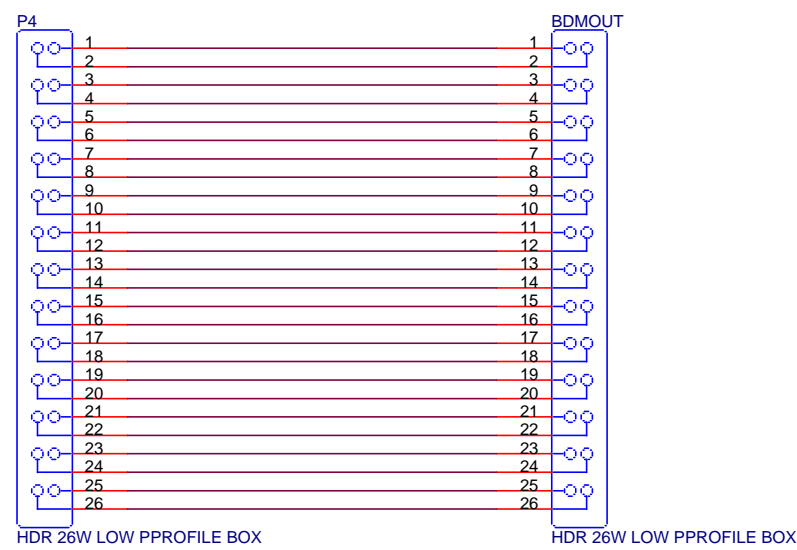
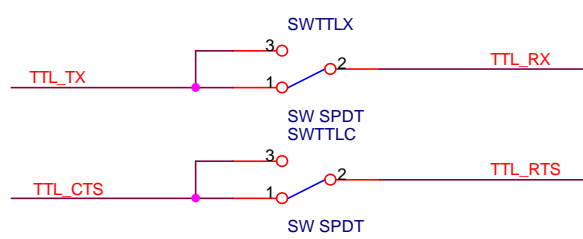
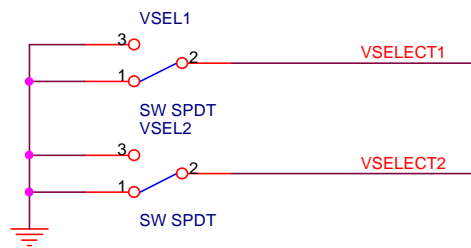
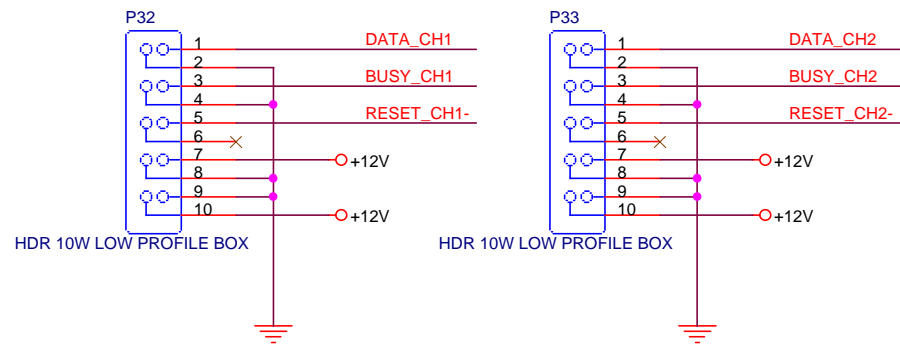
HEBER LTD.		
Belvedere Mill Chalford, Stroud, GL6 8NT Tel: +44 (0) 1453 886000 Fax: +44 (0) 1453 885013		
Title Pluto 6 EVALUATION BOARD- Reels		
Size A4	Document Number 56-16606	Rev 6
Date: 2	Tuesday, June 27, 2006	Sheet 8 of 11



HEBER LTD.
Belvedere Mill
Chalford, Stroud, GL6 8NT
Tel: +44 (0) 1453 886000
Fax: +44 (0) 1453 885013

Title		
Pluto 6 EVALUATION BOARD- Serial devices		
Size	Document Number	Rev
A3	56-16606	6

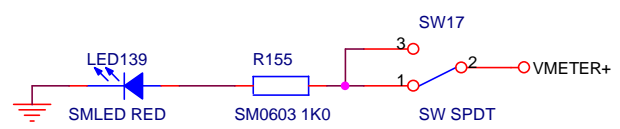
Date: Tuesday, June 27, 2006 Sheet 9 of 11



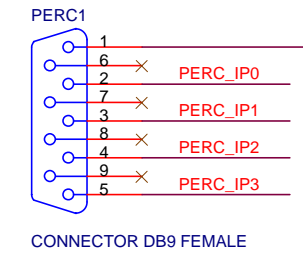
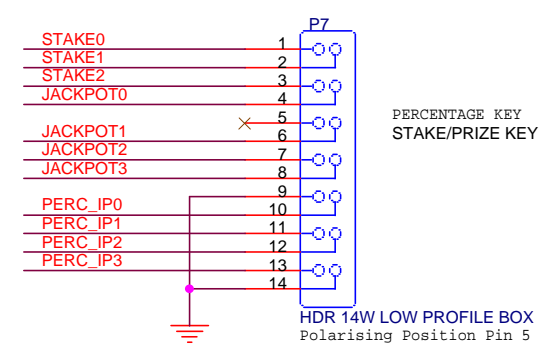
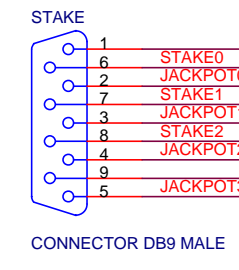
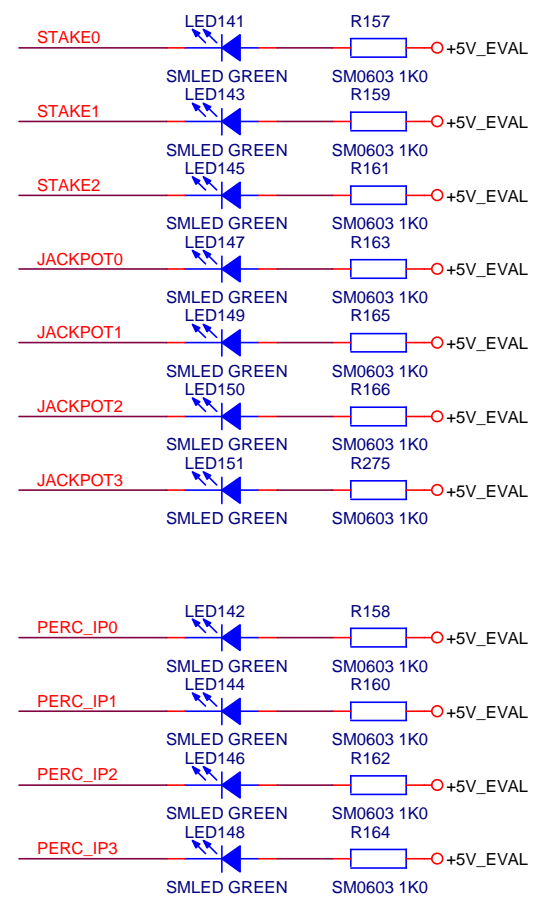
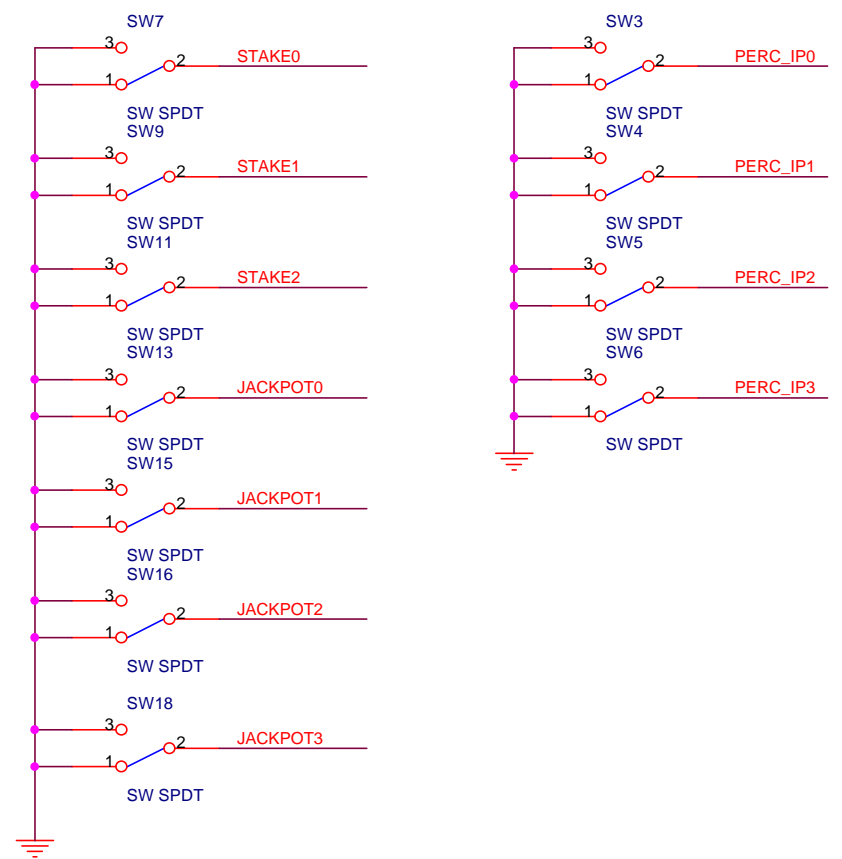
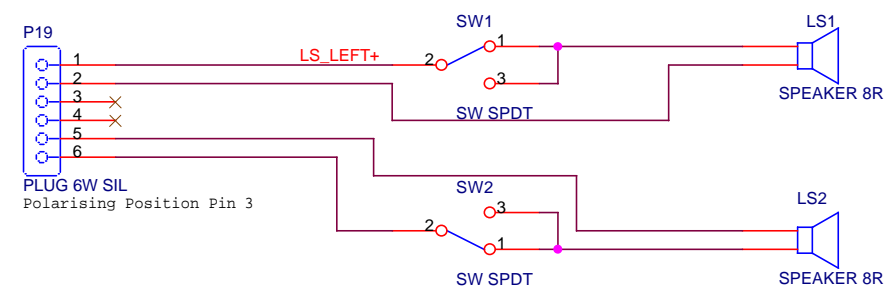
HEBER LTD.
Belvedere Mill
Chalford, Stroud, GL6 8NT
Tel: +44 (0) 1453 886000
Fax: +44 (0) 1453 885013

Title
Pluto 6 EVALUATION BOARD- Serial devices

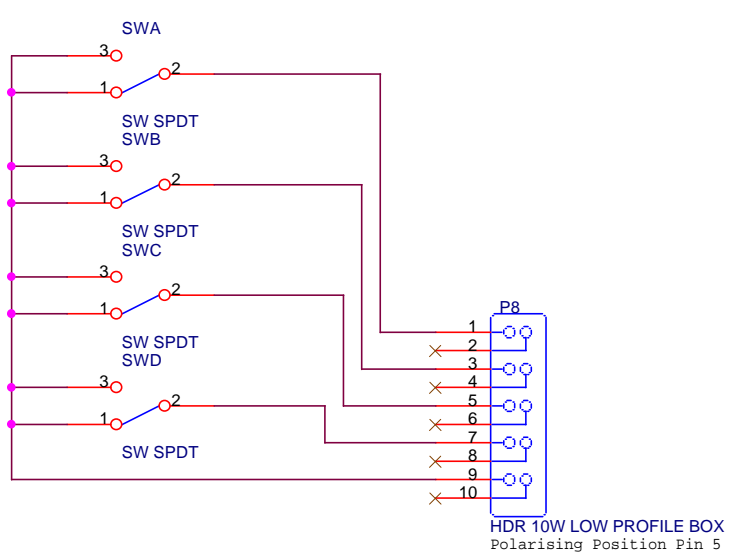
Size A3	Document Number 56-16606	Rev 6
Date: Tuesday, June 27, 2006		Sheet 10 of 11



AUDIO



POFF INPUTS



HEBER LTD. Belvedere Mill Chalford, Stroud, GL6 8NT Tel: +44 (0) 1453 886000 Fax: +44 (0) 1453 885013		
Title Pluto 6 EVALUATION BOARD- LAMP Multiplex LEDS		
Size A3	Document Number 56-16606	Rev 6
Date: Tuesday, June 27, 2006	Sheet 11	of 11