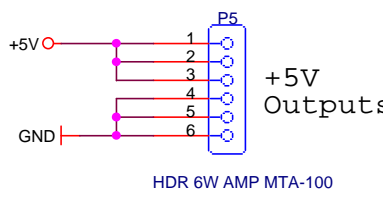
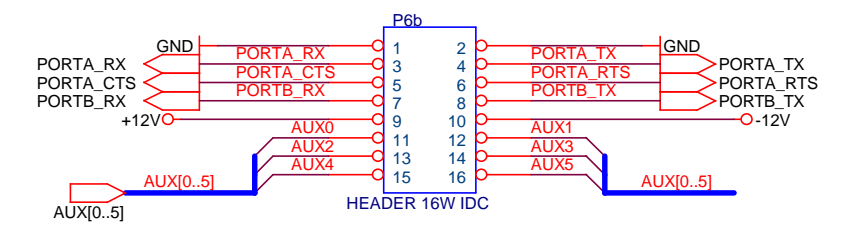
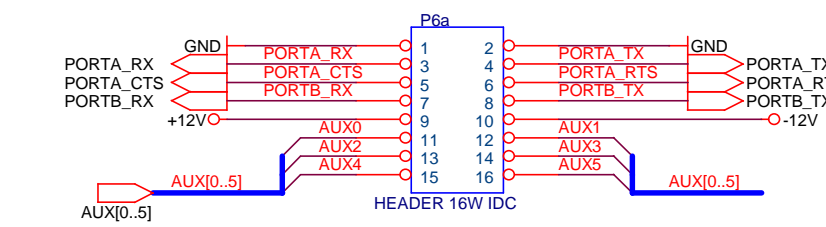
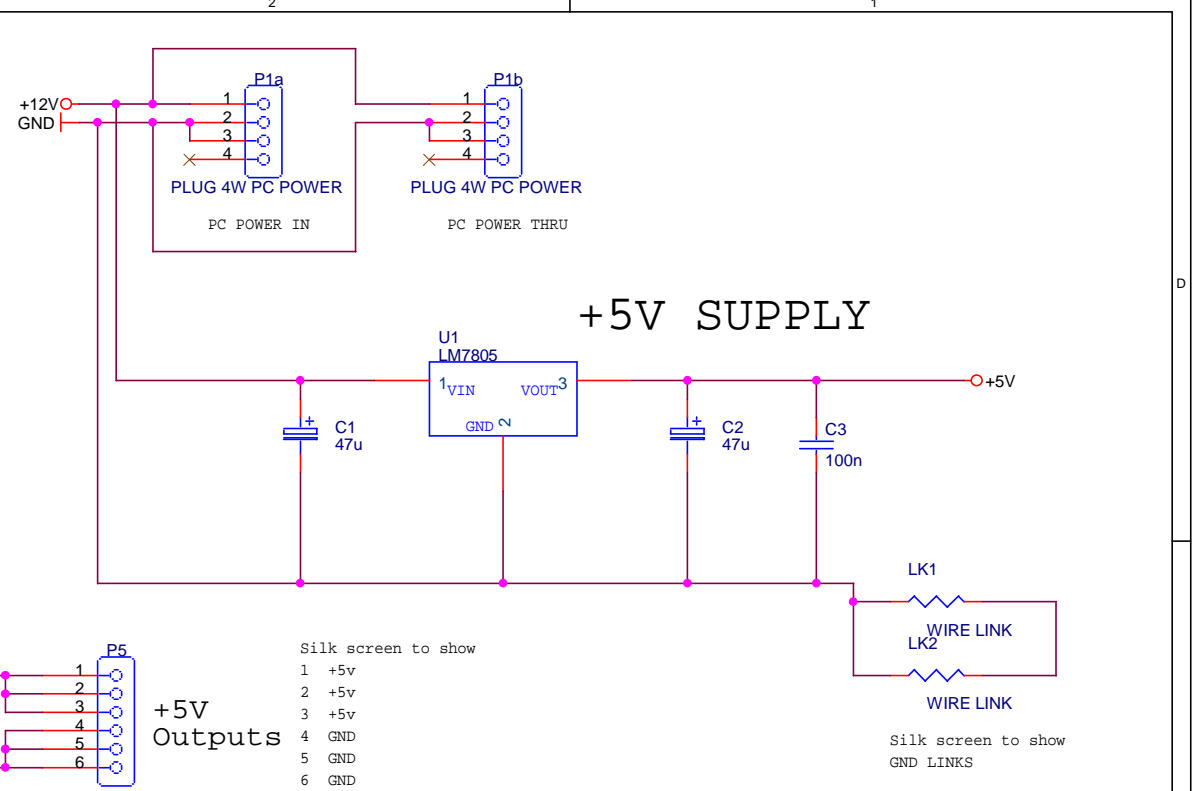
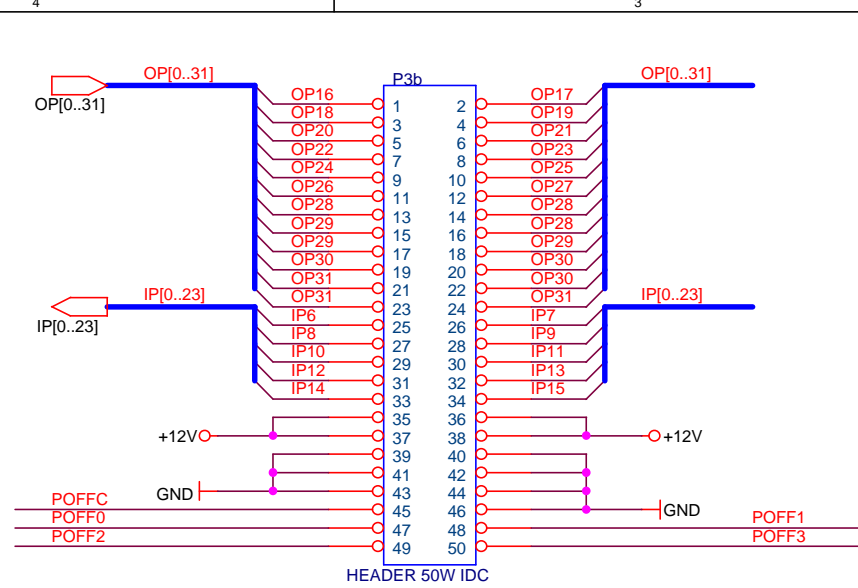
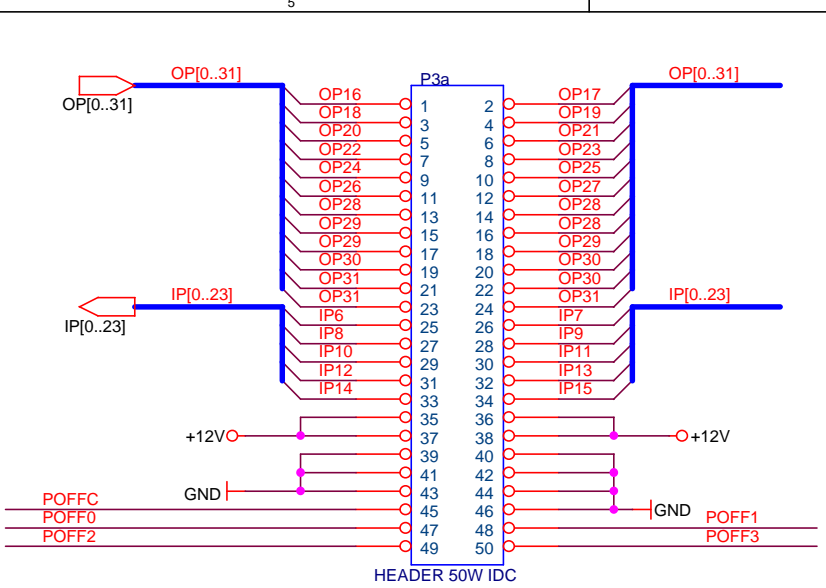
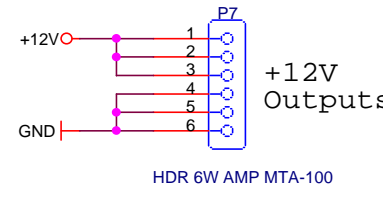


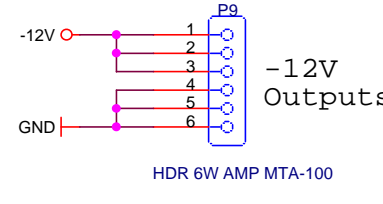
Title		
Firefly X10 Eval Board - Root Sheet		
Size	Document Number	Rev
A4	56-16526	6
Date:	Monday, July 03, 2006	Sheet 1 of 8



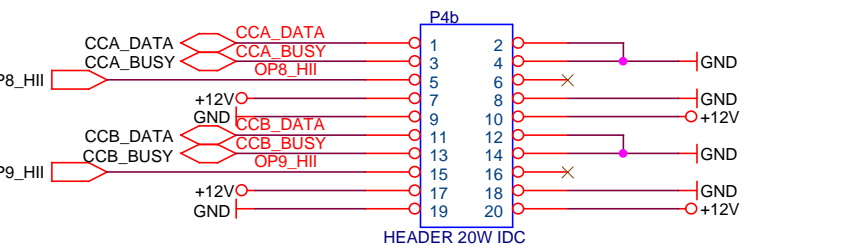
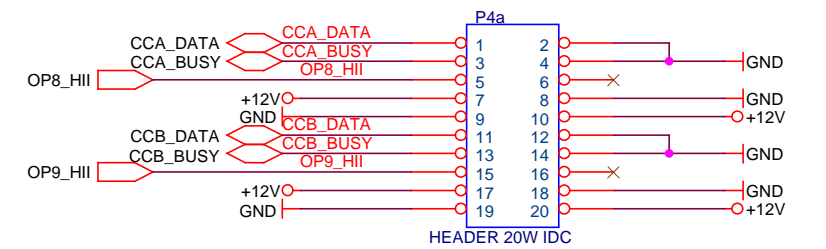
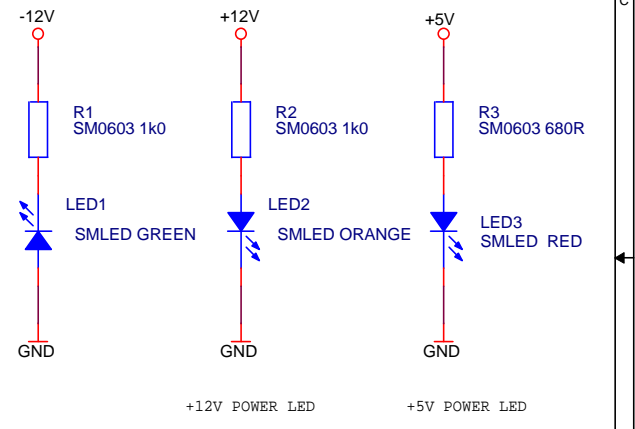
Silk screen to show  
 1 +5v  
 2 +5v  
 3 +5v  
 4 GND  
 5 GND  
 6 GND



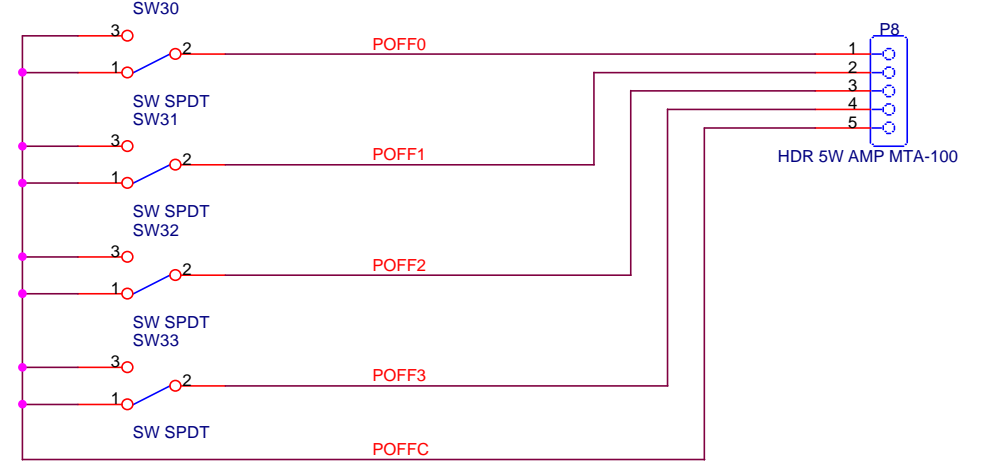
Silk screen to show  
 1 +12v  
 2 +12v  
 3 +12v  
 4 GND  
 5 GND  
 6 GND



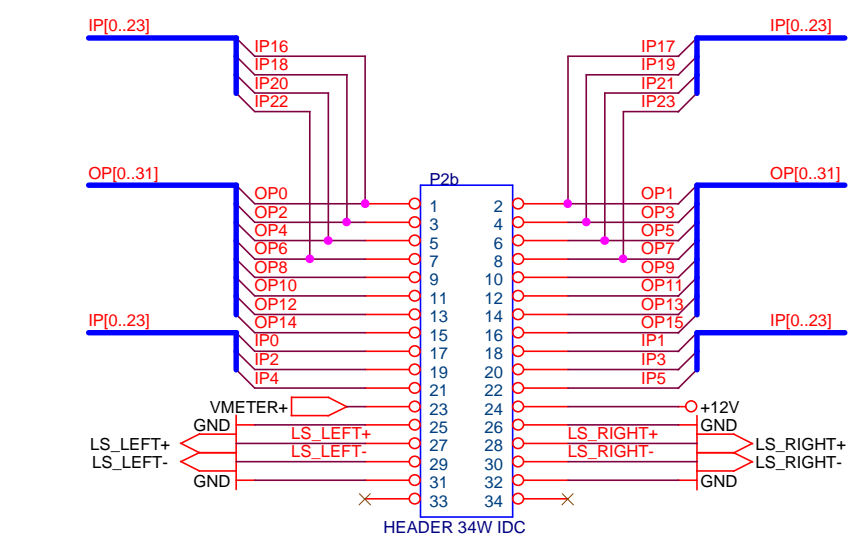
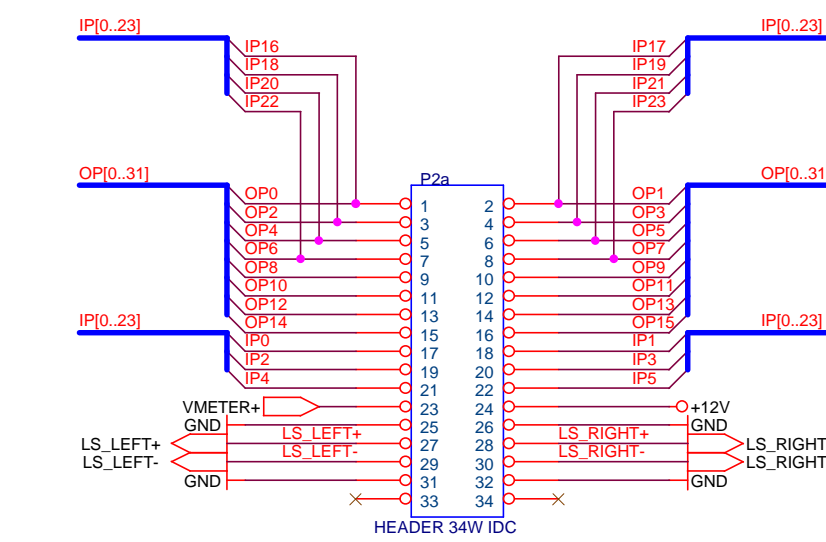
Silk screen to show  
 1 -12v  
 2 -12v  
 3 -12v  
 4 GND  
 5 GND  
 6 GND



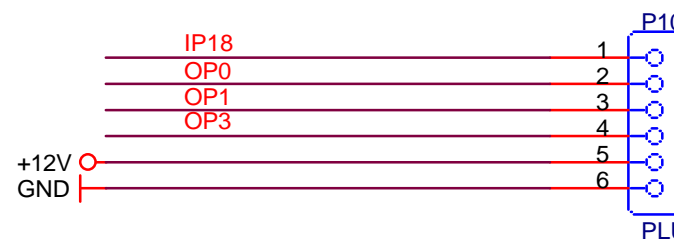
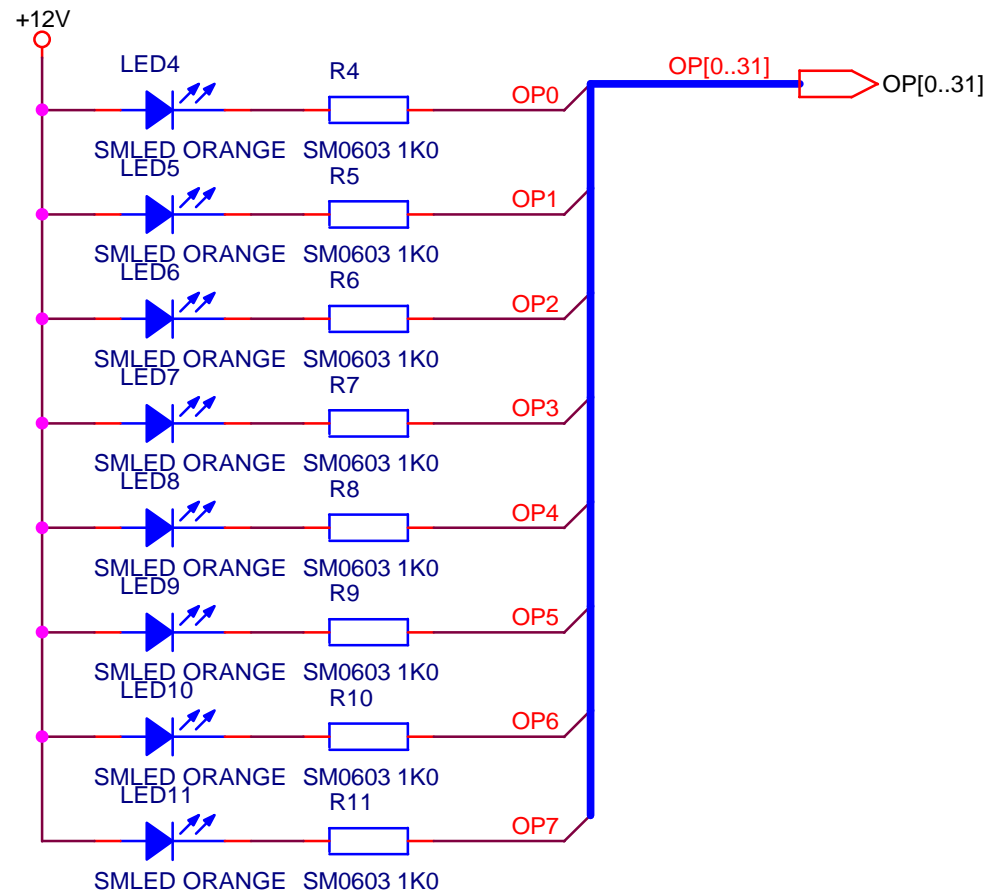
**POFF INPUTS**



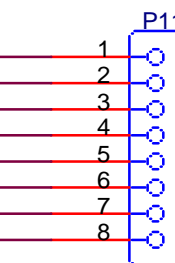
SWITCHES ARE ON-OFF-MOM TYPE TOGGLES



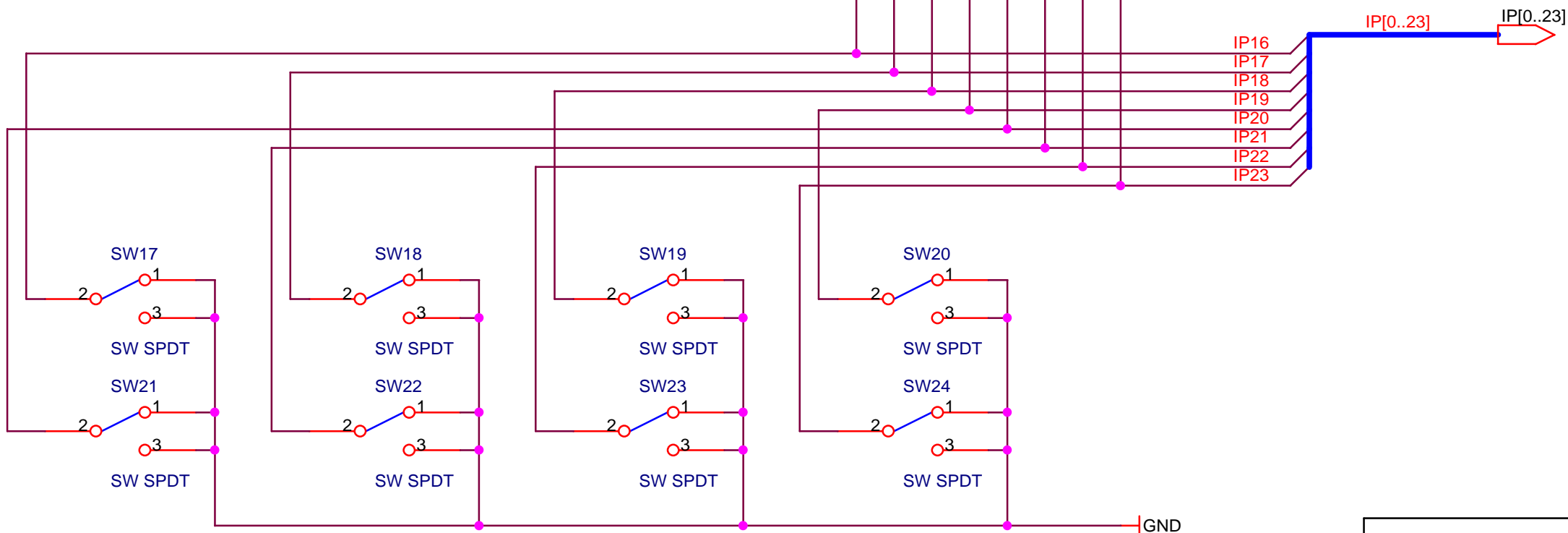
Title		
Firefly X10 Eval Board - Connectors		
Size	Document Number	Rev
A3	56-16526	6
Date:	Monday, July 03, 2006	Sheet 2 of 8



Silk screen to show  
SEC METER  
1 IP18 (DATA FROM METER)  
2 OP0 (CLOCK)  
3 OP1 (DATA TO METER)  
4 OP3 (RESET)  
5 +12V  
6 GND

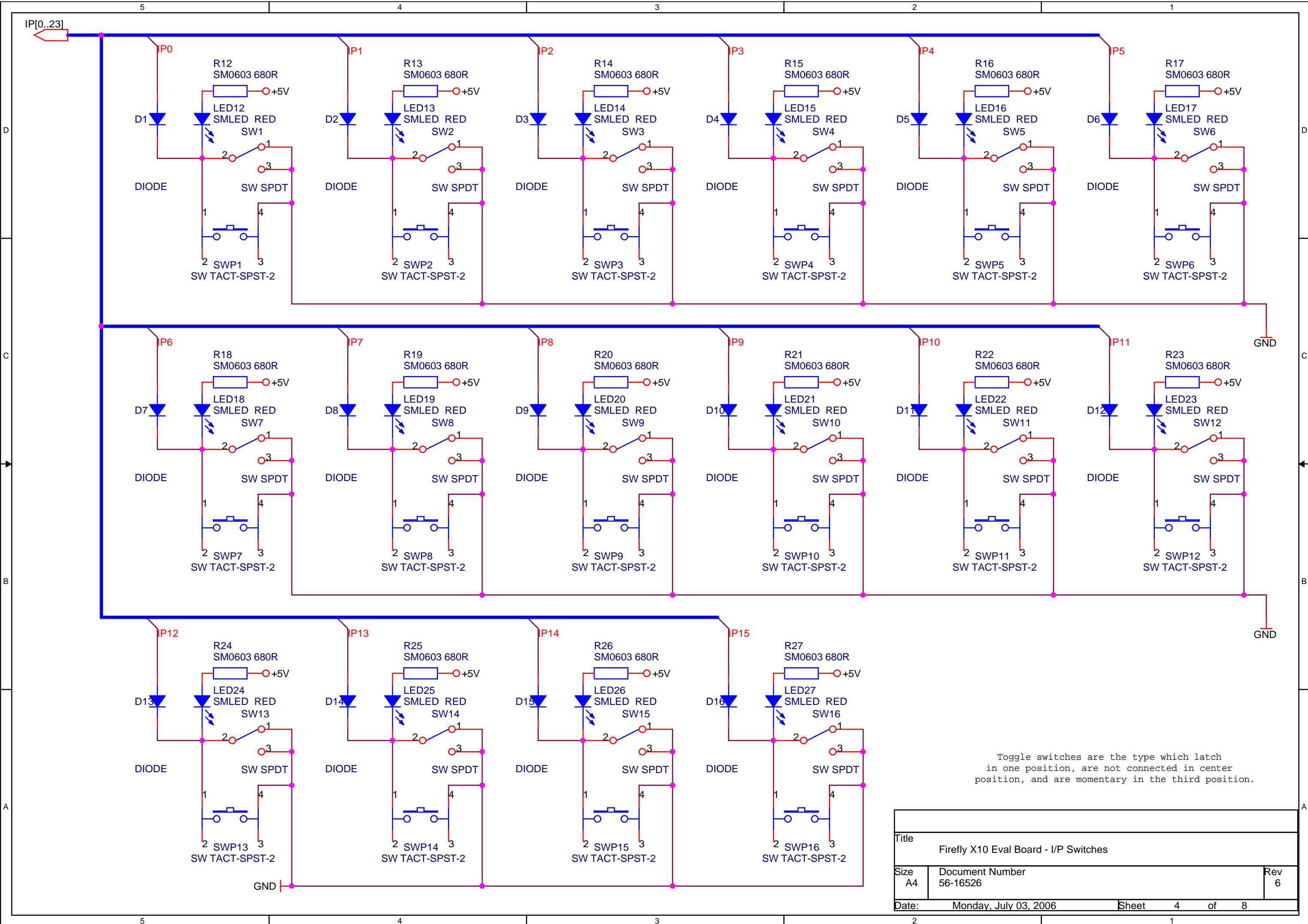


Silk screen to show  
1 IP16 / OP0  
2 IP17 / OP1  
3 IP18 / OP2  
4 IP19 / OP3  
5 IP20 / OP4  
6 IP21 / OP5  
7 IP22 / OP6  
8 IP23 / OP7



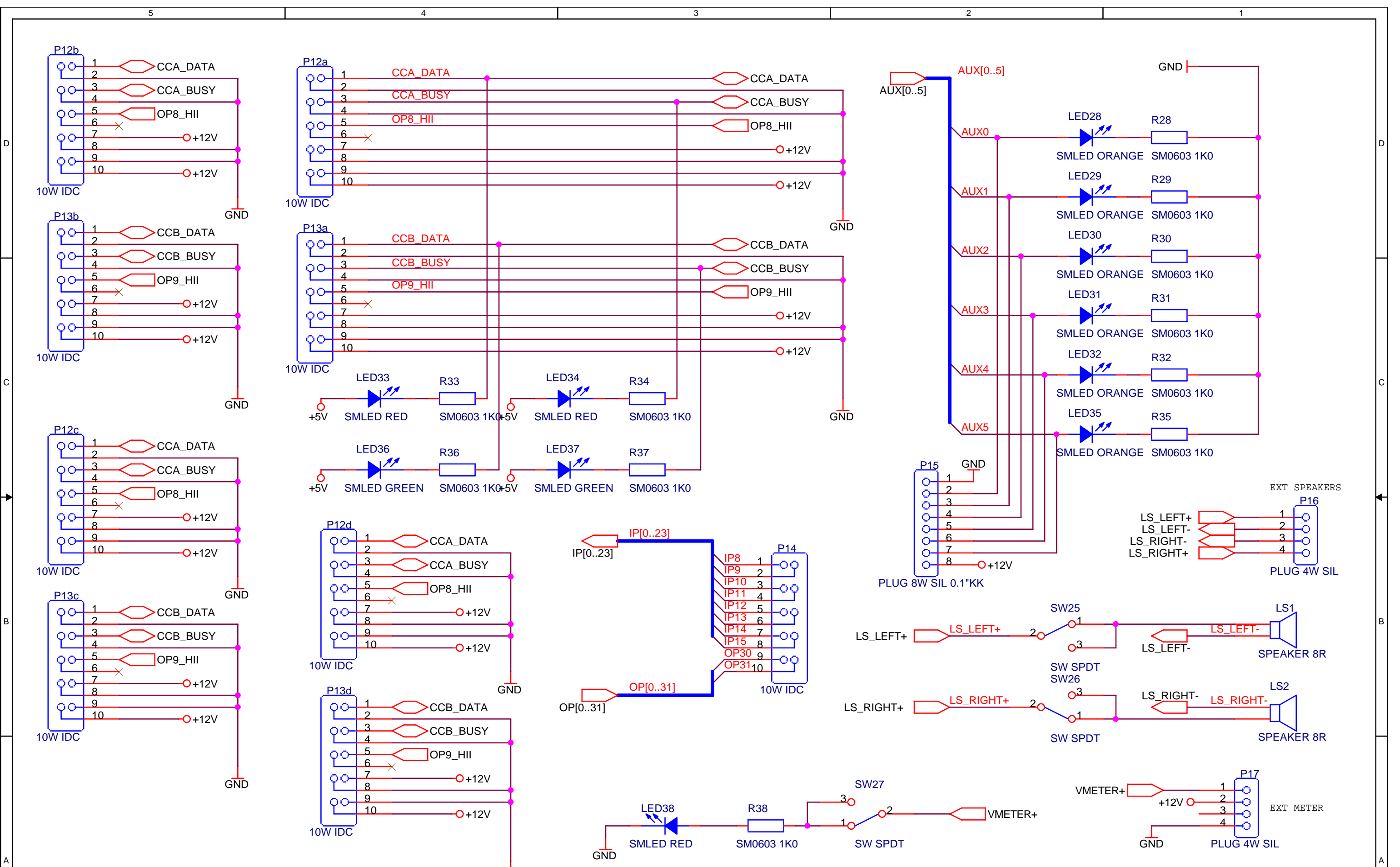
SWITCHES ARE ON-OFF-MOM TYPE TOGGLES

Title		
Firefly X10 Eval Board - I/O		
Size	Document Number	Rev
A4	56-16526	6
Date:	Monday, July 03, 2006	Sheet 3 of 8



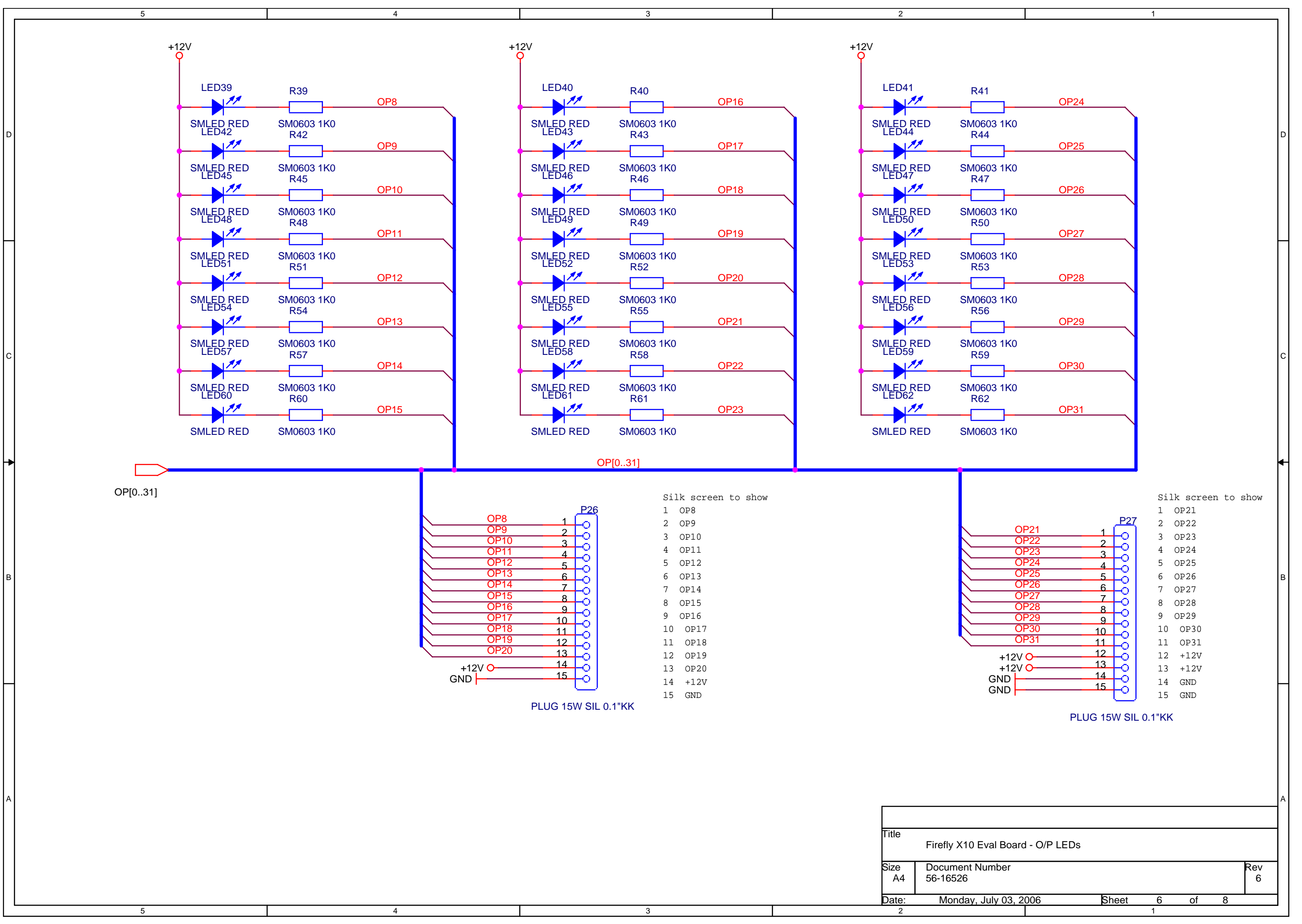
Toggle switches are the type which latch in one position, are not connected in center position, and are momentary in the third position.

Title		
Firefly X10 Eval Board - I/P Switches		
Size	Document Number	Rev
A4	56-16526	6
Date:	Monday, July 03, 2006	Sheet 4 of 8



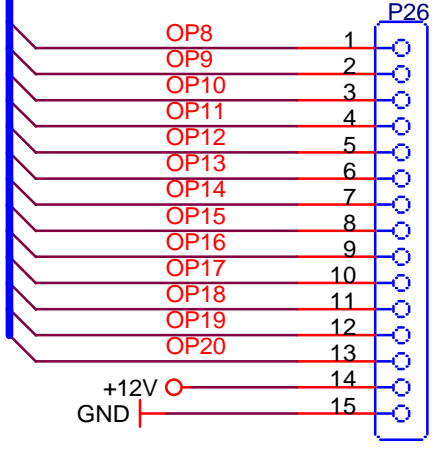
SWITCHES ARE ON-OFF-MOM TYPE TOGGLES

Title		
Firefly X10 Eval Board - Misc		
Size	Document Number	Rev
A4	56-16526	6
Date:	Monday, July 03, 2006	Sheet 5 of 8



OP[0..31]

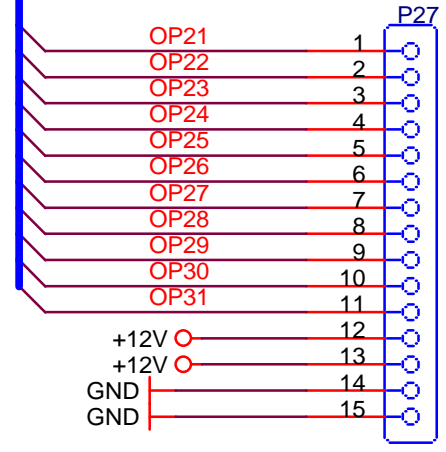
OP[0..31]



PLUG 15W SIL 0.1"KK

Silk screen to show

- 1 OP8
- 2 OP9
- 3 OP10
- 4 OP11
- 5 OP12
- 6 OP13
- 7 OP14
- 8 OP15
- 9 OP16
- 10 OP17
- 11 OP18
- 12 OP19
- 13 OP20
- 14 +12V
- 15 GND



PLUG 15W SIL 0.1"KK

Silk screen to show

- 1 OP21
- 2 OP22
- 3 OP23
- 4 OP24
- 5 OP25
- 6 OP26
- 7 OP27
- 8 OP28
- 9 OP29
- 10 OP30
- 11 OP31
- 12 +12V
- 13 +12V
- 14 GND
- 15 GND

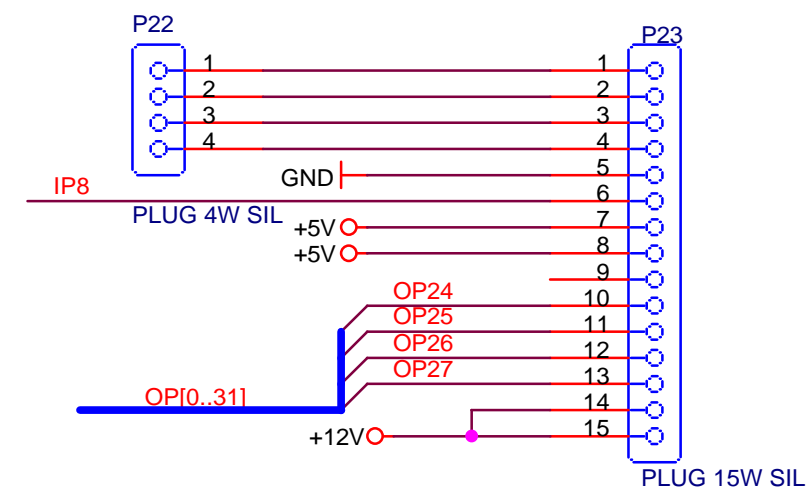
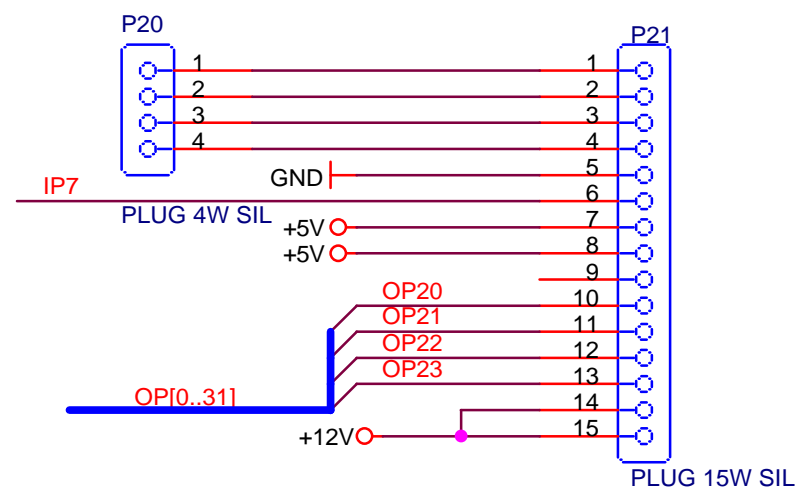
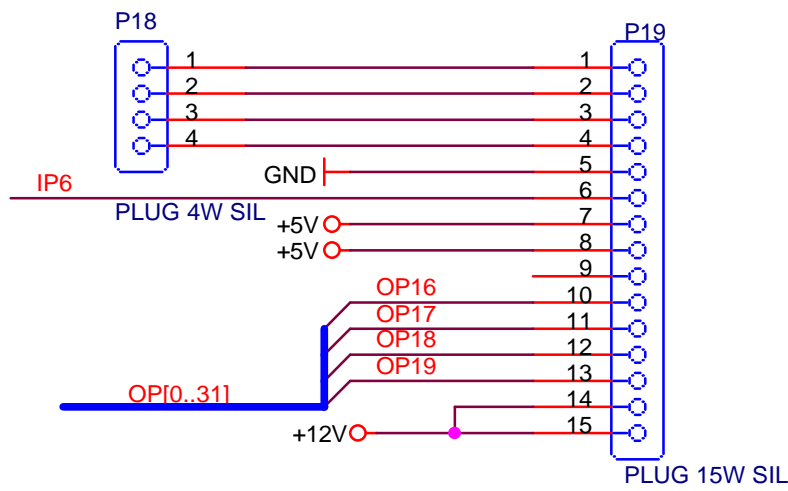
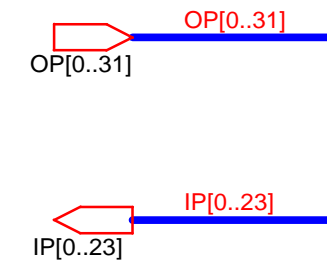
Title		
Firefly X10 Eval Board - O/P LEDs		
Size	Document Number	Rev
A4	56-16526	6
Date:	Monday, July 03, 2006	Sheet 6 of 8

STARPOINT REELS

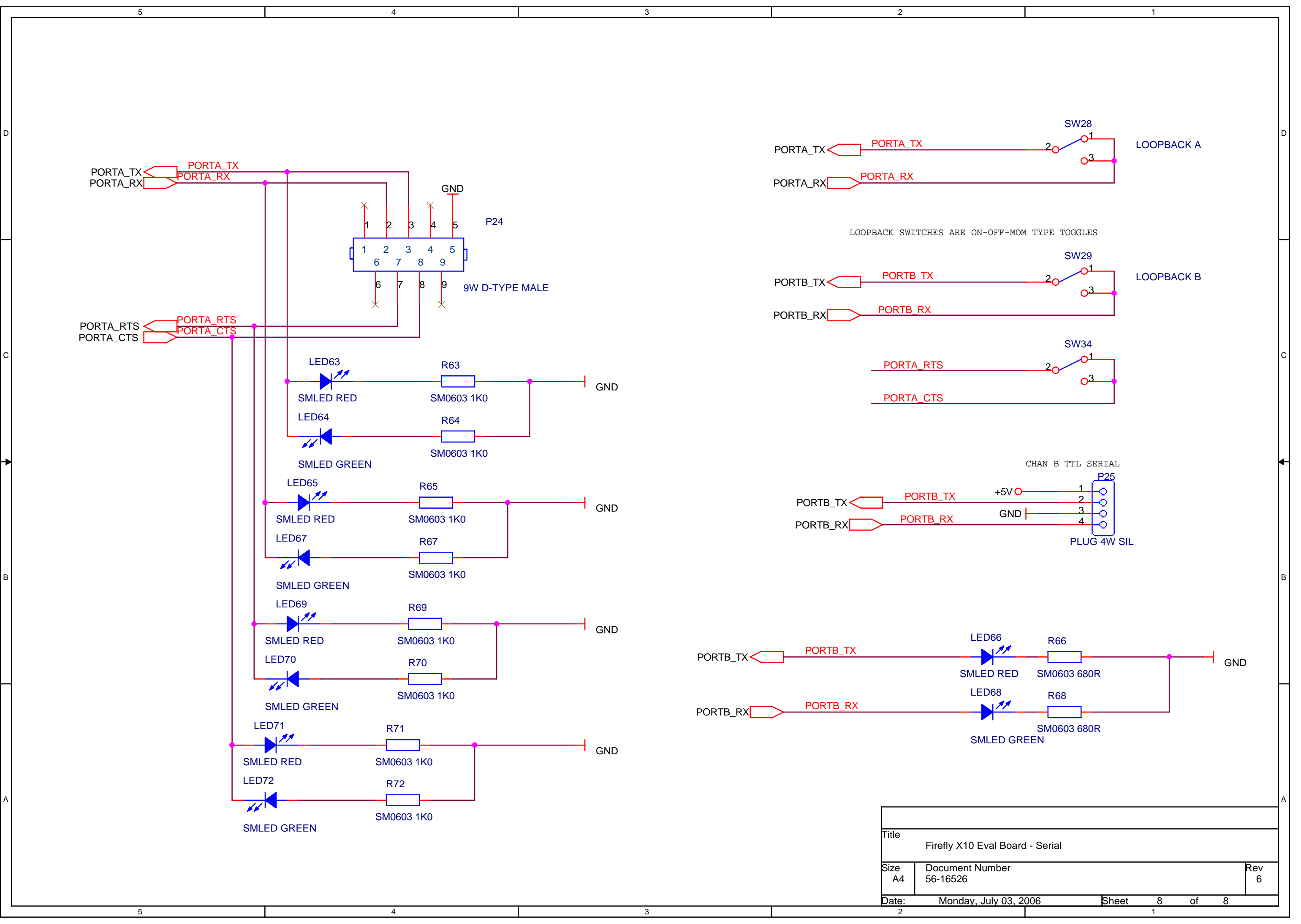
1. Lamp Supply
2. Lower Lamp Sink
3. Middle Lamp Sink
4. Upper Lamp Sink
5. Ground
6. Tab Input
7. +5v
8. +5v
9. NC
10. Motor Coil 1
11. Motor Coil 2
12. Motor Coil 3
13. Motor Coil 4
14. Motor Supply
15. Motor Supply

Alternate "OPnn" and "IPnn" Functions:

REEL 0:	REEL 1:	REEL 2:
MOTOR 1 A = OP16	MOTOR 1 A = OP20	MOTOR 1 A = OP24
MOTOR 1 B = OP17	MOTOR 1 B = OP21	MOTOR 1 B = OP25
MOTOR 2 A = OP18	MOTOR 2 A = OP22	MOTOR 2 A = OP26
MOTOR 2 B = OP19	MOTOR 2 B = OP23	MOTOR 2 B = OP27
POSITION SENSOR = IP6	POSITION SENSOR = IP7	POSITION SENSOR = IP8



Title		
Firefly X10 Eval Board - Reels		
Size	Document Number	Rev
A4	56-16526	6
Date:	Monday, July 03, 2006	Sheet 7 of 8



Title		
Firefly X10 Eval Board - Serial		
Size	Document Number	Rev
A4	56-16526	6
Date:	Monday, July 03, 2006	Sheet 8 of 8